



**SCHWINTEK TV LIFT
(AUSTRALIA)
INSTALLATION MANUAL**

**L I P P E R T
C O M P O N E N T S[®]**

TABLE OF CONTENTS

Safety Information	2
Resources Required	2
Schwintek TV Lift Installation	3-4
Programming the Extend and Retract Stops	5
Operation	5
Schwintek TV Lift Assembly	6
Schwintek TV Lift Components	7-8
Notes	9

Safety Information

WARNING

Failure to follow the instructions provided in this manual may result in death, serious injury, unit damage, or voiding of the component warranty.

WARNING

The unit **MUST** be supported per manufacturer's recommendations before working underneath. Failure to do so may result in death or serious injury.

WARNING

Always wear eye protection when performing service or maintenance to the unit. Other safety equipment to consider would be hearing protection, gloves and possibly a full face shield, depending on the nature of the service.

CAUTION

Moving parts can pinch, crush or cut. Keep clear and use caution.

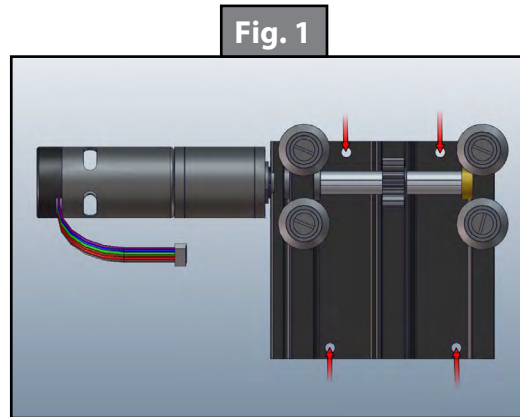
NOTE: Lippert Components, Inc. (LCI) recommends that the following inspections, troubleshooting, component replacement, and verifications be completed only by certified RV technicians.

Resources Required

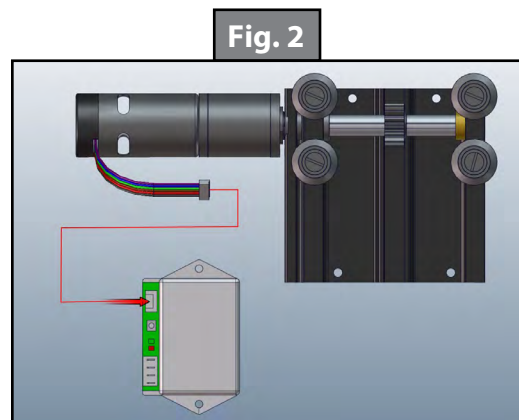
- Cordless or Electric Drill or Screw Gun
- Appropriate Drill Bits
- Appropriate Drive Bits

Schwintek TV Lift Installation

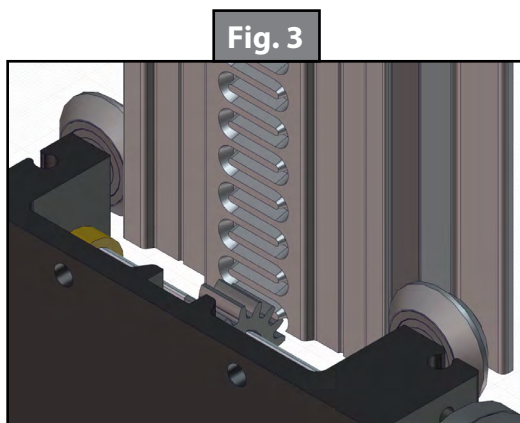
1. Mount bearing block with motor to solid backer centered within cabinet using #10 screws (Fig. 1). Ensure the unit is level during installation.



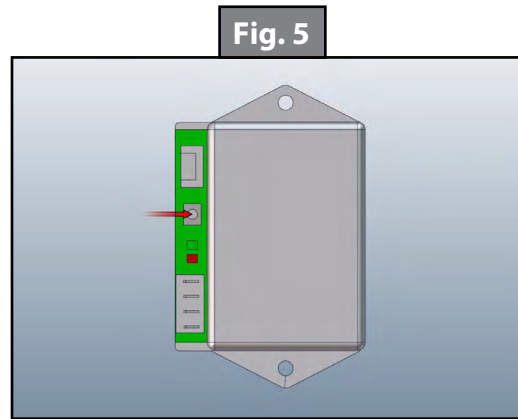
2. Mount TV lift controller close to end of motor using #10 screws. Plug motor control wires into controller (Fig. 2). Attach the power, ground, and switch wires with 1/4" spade type connectors (Fig. 6, Page 4).



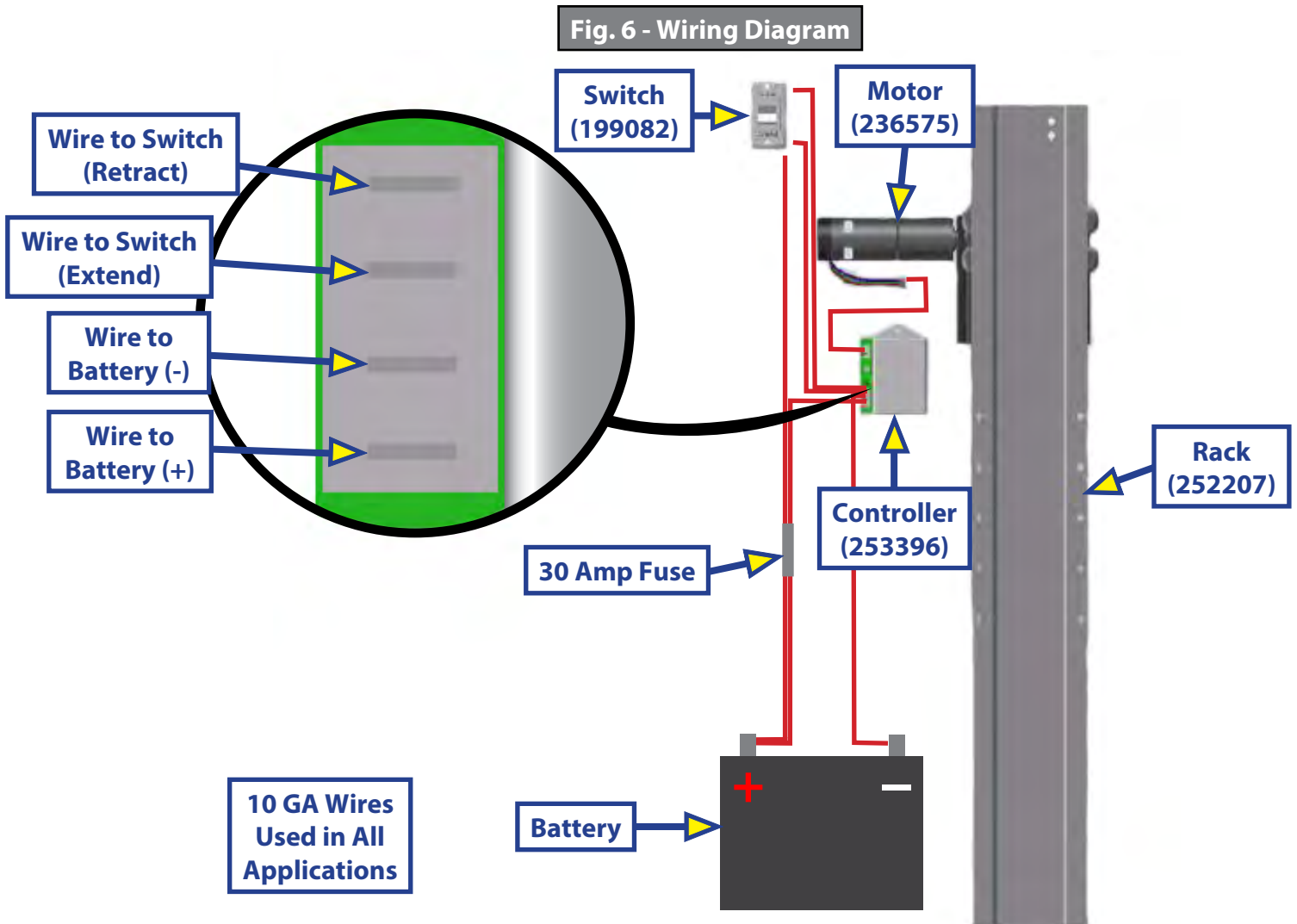
3. Mount included TV plate to the back of the TV and the rack. Insert rack into bearing block by aligning the V-grooves in the rack to the V-rollers in the bearing block. Insert rack until the gear in the bearing block comes into contact with the serpentine groove of the rack (Fig. 3). Press the retract button until the rack is fully inserted in to the bearing block. Mount the cabinet top angle transition plate onto the rack (Fig. 4).



- To set the lower electronic stop, lower TV into desired position and press white button on receiver once (Fig. 5). Raise TV into desired position and press white button once to set the electronic stop for raised position. Test the receiver's programming by lowering and raising the TV. (See Page 5 for detail.)



NOTE: To pull the TV and rack back out of the lift unit, press and hold the MODE button for 5 seconds. The RED light will illuminate and the GREEN light will flash. At the switch, push the switch UP and the lift will extend the rack so it can be removed from the system. To re-install, see steps on previous page.



NOTE: Wire harness to battery and switch is customer supplied. Harness wires must be 10 gauge minimum. A 30 amp breaker should also be installed on the power lead between the battery and the controller.

Programming the Extend and Retract Stops

1. To enter programming mode, hold the Configuration button (Fig. 7A) for five seconds.

NOTE: The green LED will flash, and the red LED will light up solid.

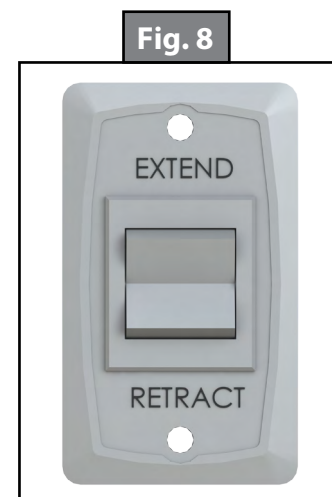
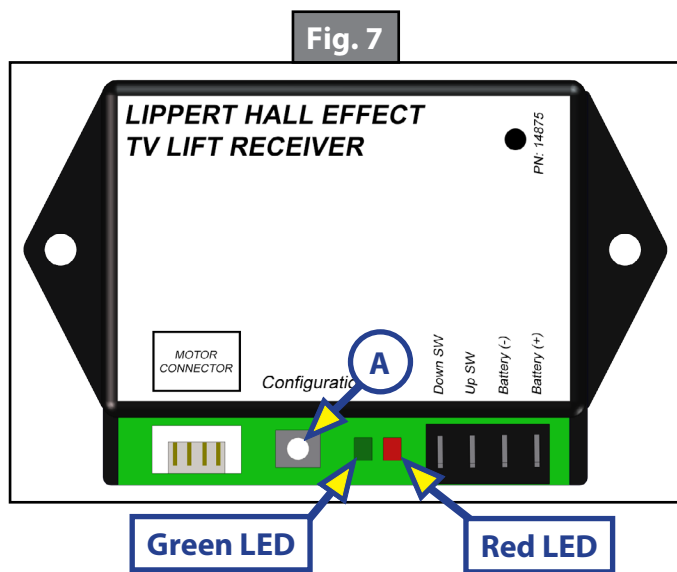
2. Set the extend limit by holding the EXTEND button (Fig. 8) on the wall switch and stopping at the desired height.
3. Press the Configuration button (Fig. 7A) to set the extend limit.

NOTE: The red LED will flash, and the green LED will light up solid or turn off.

4. Set the retract limit by holding the RETRACT button (Fig. 8) on the wall switch and stopping when the TV is fully lowered into the cabinet.
5. Press the Configuration button (Fig. 7A) to set the retract limit.

NOTE: Both LEDs will blink for 3 seconds and then the receiver will exit programming mode. The stops are now set.

NOTE: If the LEDs continue to flash, reprogram the stops by going through steps 2-5.

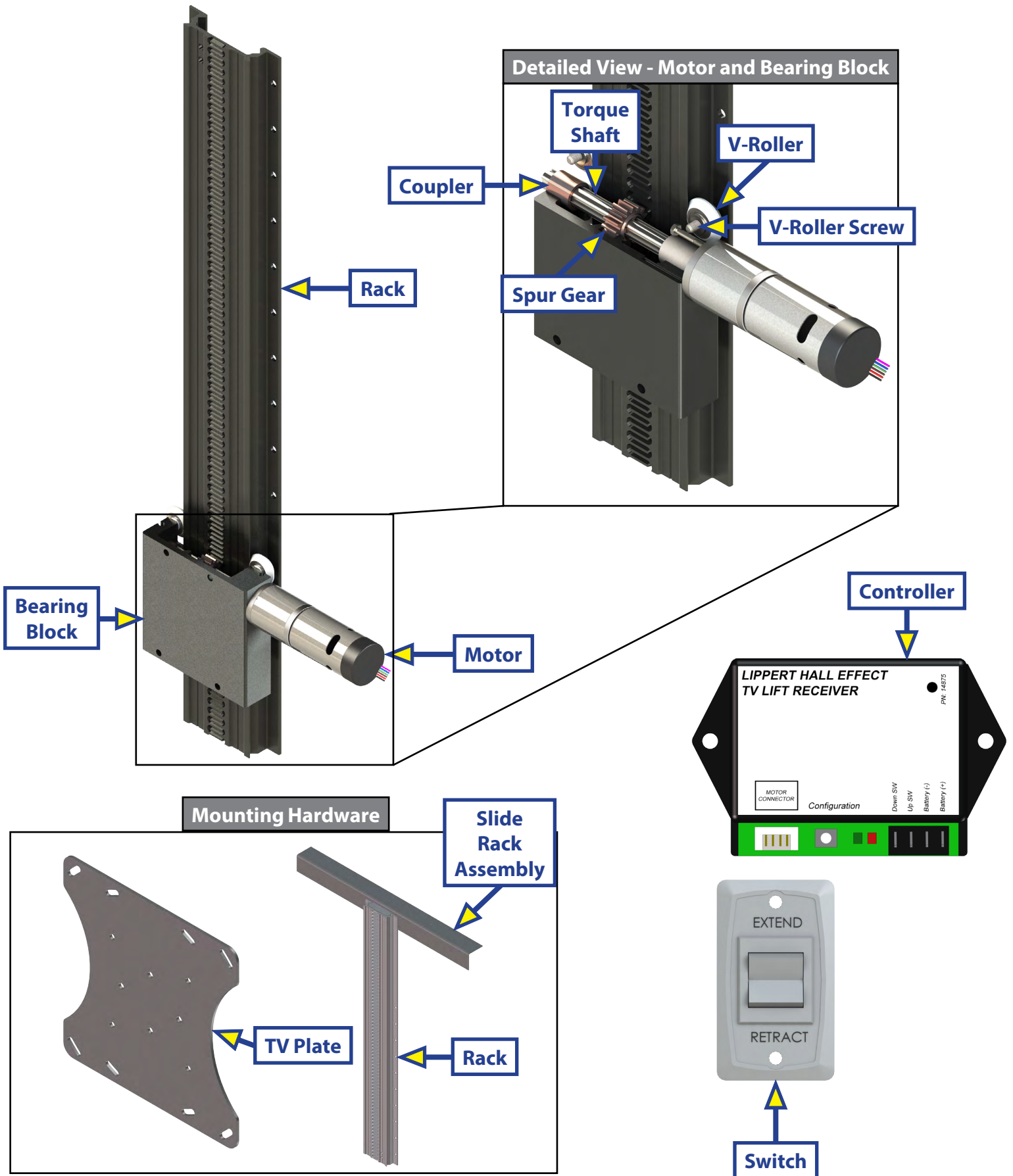


Operation

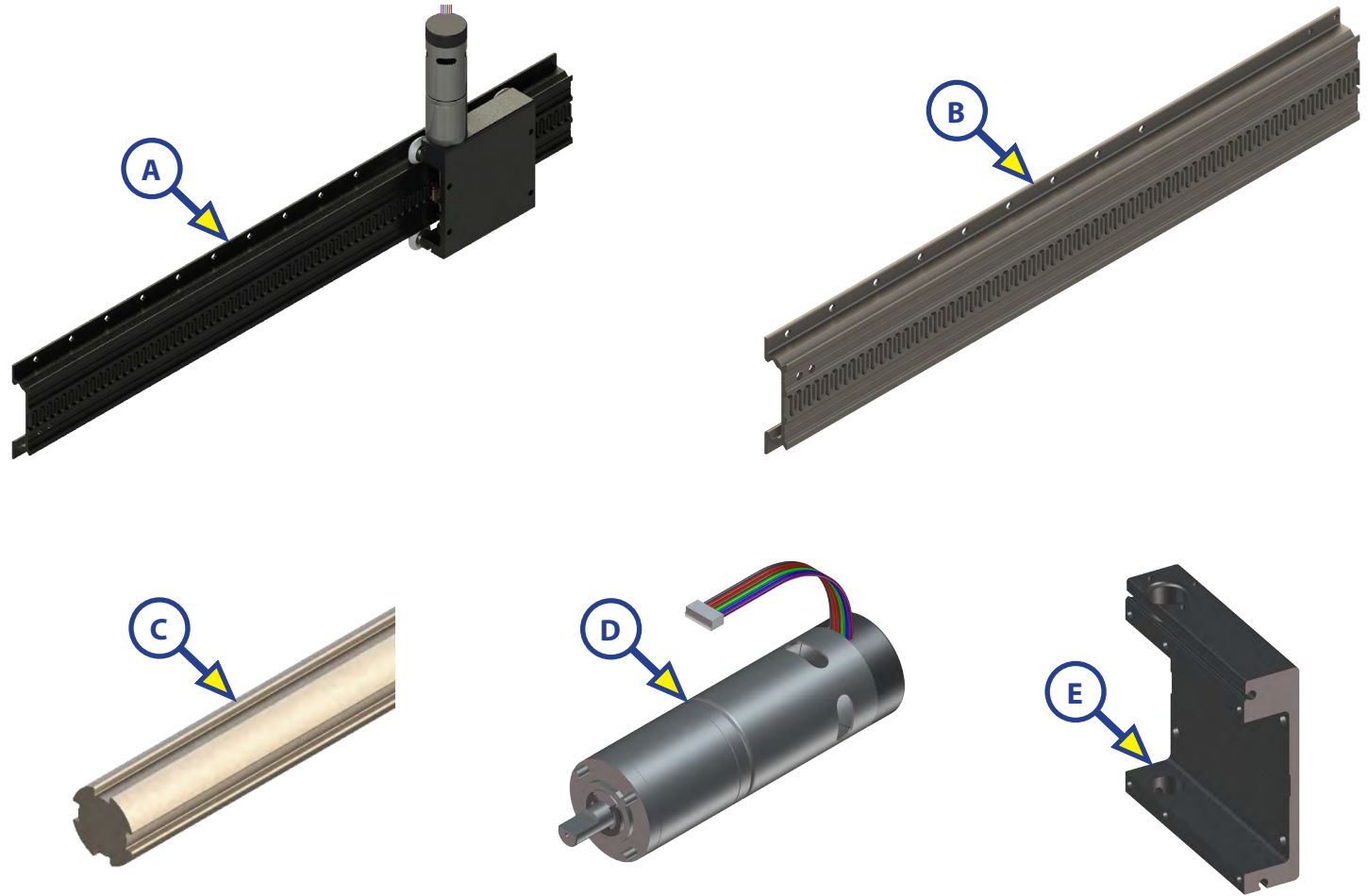
1. To raise the TV, press and hold the Extend button until the TV lift is fully raised into position.
2. Press and hold the Retract button until the TV is fully lowered.

SCHWINTEK TV LIFT ASSEMBLY

POWER AND MOTION

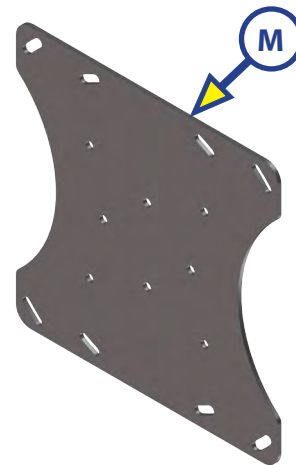
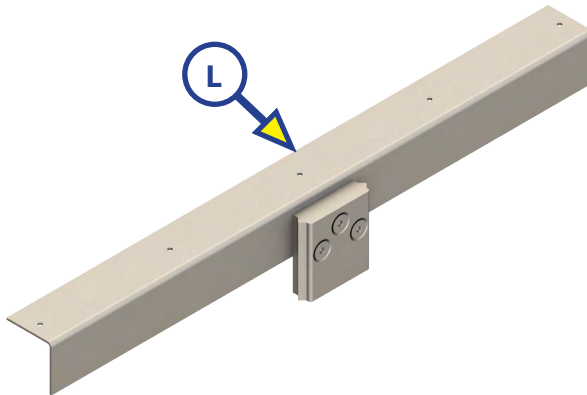
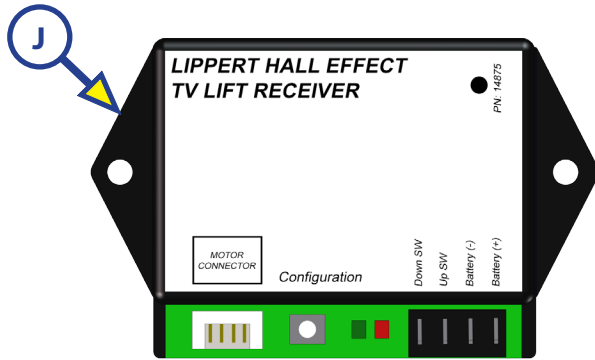
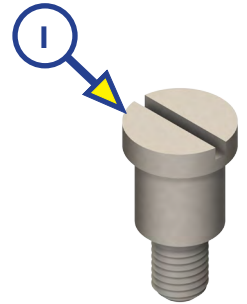
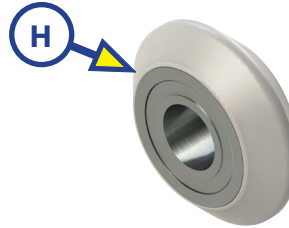
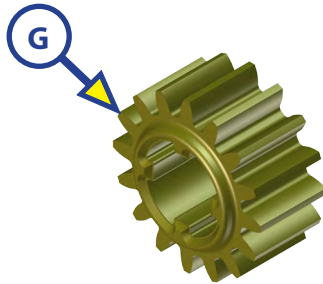
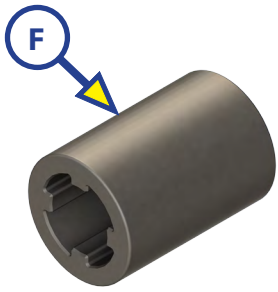


POWER AND MOTION



Callout	Part #	Description
A	252208	TV Lift Kit 30" (763 mm)
B	252207	Rack 30" (763 mm)
C	238462	Torque Shaft
D	236575	Motor; In-Wall; IG 42, 10 mm
E	327493	Bearing Block

POWER AND MOTION



Callout	Part #	Description
F	238461	Coupler; Torque Shaft/Motor
G	238893	Spur Gear
H	292801	V-Roller
I	242503	V-Roller Screw
J	253396	Controller
K	199082	Switch
L	260992	Cabinet Top Transition Angle
M	193925	TV Plate



L I P P E R T C O M P O N E N T S[®]

The contents of this manual are proprietary and copyright protected by Lippert Components, Inc. ("LCI"). LCI prohibits the copying or dissemination of portions of this manual unless prior written consent from an authorized LCI representative has been provided. Any unauthorized use shall void any applicable warranty. The information contained in this manual is subject to change without notice and at the sole discretion of LCI.

Revised editions are available for free download from lci1.com.

Please recycle all obsolete materials.

For all concerns or questions, please contact
Lippert Components, Inc.

Ph: (574) 537-8900 | Web: lci1.com | Email: customerservice@lci1.com