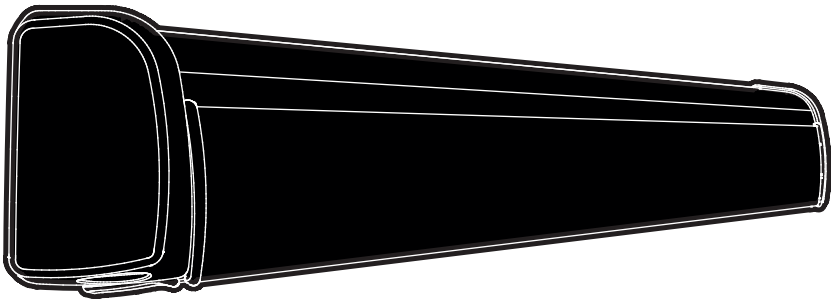
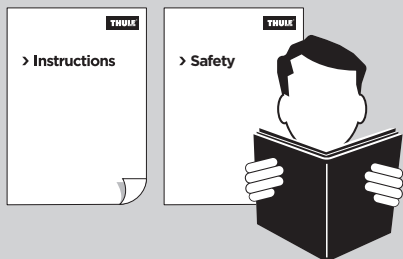


USER + INSTALLATION

# ➤ Instructions

**Thule 4200**  
3028XX





<b>DE</b>	Markise - Bedienungsanleitung
<b>NL</b>	Luifel - Gebruikershandleiding
<b>FR</b>	Store - Instructions d'utilisation
<b>IT</b>	Tenda - Istruzioni per l'uso
<b>ES</b>	Toldo - Instrucciones de uso
<b>SV</b>	Markis - Användarmanual
<b>FI</b>	Markiisi - Käyttöohje
<b>DA</b>	Markise - Brugervejledning
<b>NO</b>	Markise - Brukerinstruksjoner
<b>PL</b>	Markiza - Instrukcja dla użytkownika

**USER****4****1 WARNINGS & INFO****4**

Warnungen & Info / waarschuwingen & info / avertissements et informations / avvertimenti e informazioni / advertencias e información / varningar & info / varoitukset ja tiedot / advarsler og info / advarsler og info / ostrzeżenia i informacje

**2 OPEN****6**

Öffnen / Openen / Ouvrir / Apri / Abrir / Öppna / Avaa / Åben / Åpne / Otwórz

**3 CLOSE****12**

Schließen / Sluiten / Fermer / Chiudi / Cerrar / Stänga / Sulje / Luk / Lukke / Zamknij

**INSTALLATION****16****4 CONTENT****16**

Inhalt / inhoud / contenu / contenuto / contenido / innehåll / sisältö / indhold / innhold / zawartość

**5 TOOLS****17**

Werkzeuge / gereedschappen / outils / strumenti / herramientas / verktøy / työkalut / værktøjer / verktøy / narzędzia

**6 GUTTER INSTALLATION****18**

Dachrinnen-Installation / Installatie goot / Installation de la gouttière / Installazione della grondaia / Instalación del canalón / Installation av droppister / Kourun asennus / Montering af tagrende / Montering av renne / Instalacja rynienki

**7 INSTALLATION****19**

Installation / installatie / installation / installazione / instalación / installation / asennus / installation / installasjon / instalacja

**8 FOOT SUPPORT INSTALLATION****22**

Installation der Fußstütze / Installatie voetsteun / Installation du repose-pieds / Installazione del supporto del piede / Instalación del soporte para pies / Fotstödsinstallation / Jalkatuen asennus / Montering af fodstøtte / Fotstøttemontering / Instalacja wspornika stopy

## **9 HAND CRANK SUPPORT INSTALLATION**

**25**

Installation der Handkurbelstütze / Installatie handzwengelsteun / Installation du repose-manivelle / Installazione del supporto della manovella manuale / Instalación del soporte de la manivela / Installation av handvevsstöd / Käsikammen tuen asennus / Håndsving hjælper med installation / Håndsveivstøttemontering / Instalacja wsparcia korby ręcznej

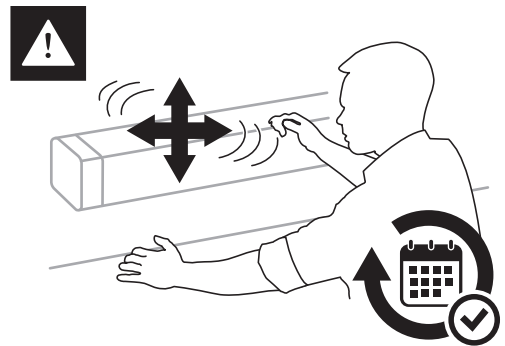
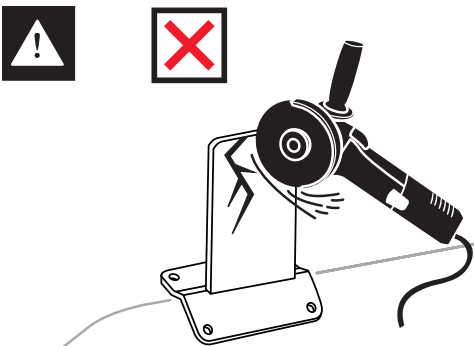
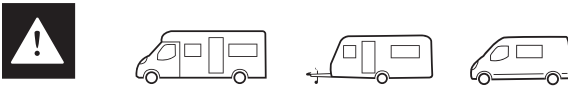
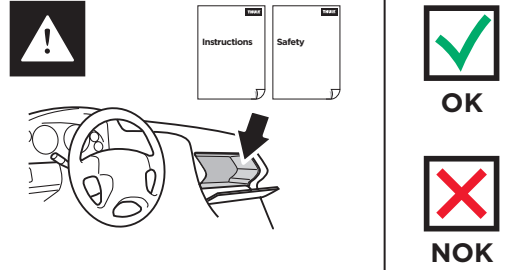
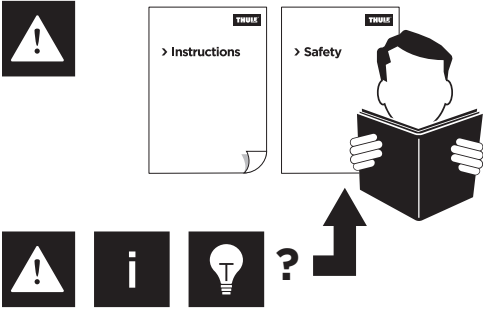
## **10 ACCESSORIES**

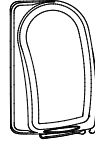
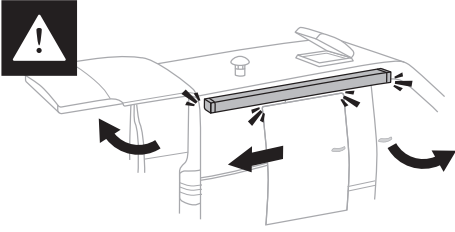
**26**

Zubehör / accessoires / accessoires / accessori / accesorios / tillbehör / tarvikkeet / tilbehør / tilbehør / akcesoria

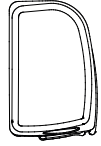
# USER

## 1 WARNINGS & INFO

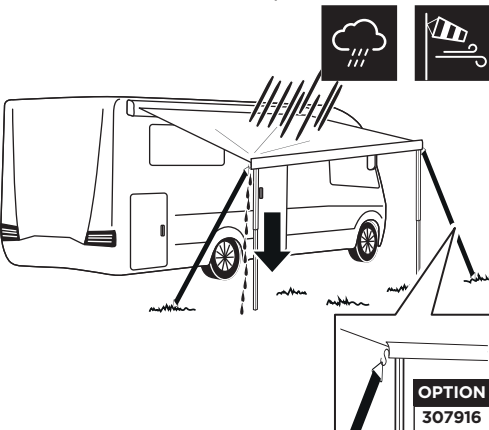
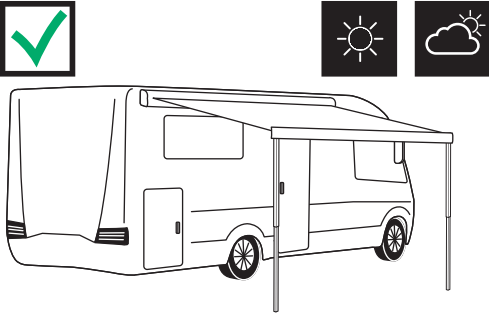
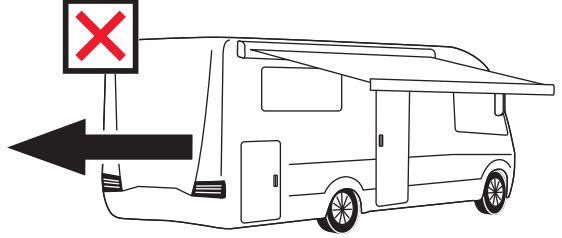
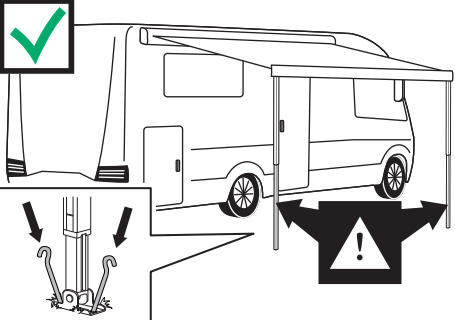




2,6 m  
3,0 m



3,5 m  
4,0 m  
4,5 m

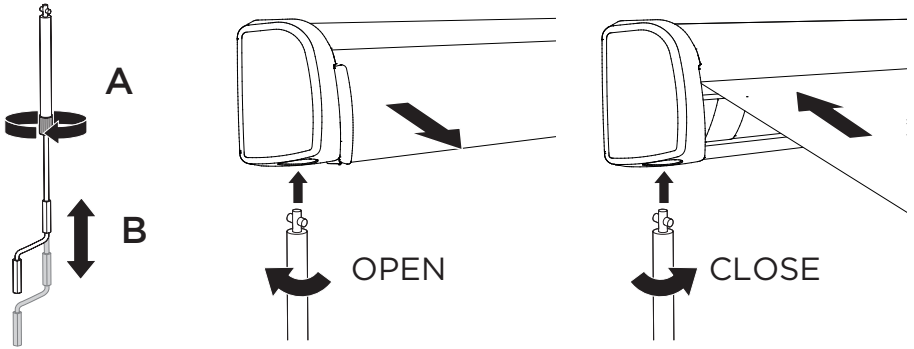


**CLOSE  
THE AWNING**

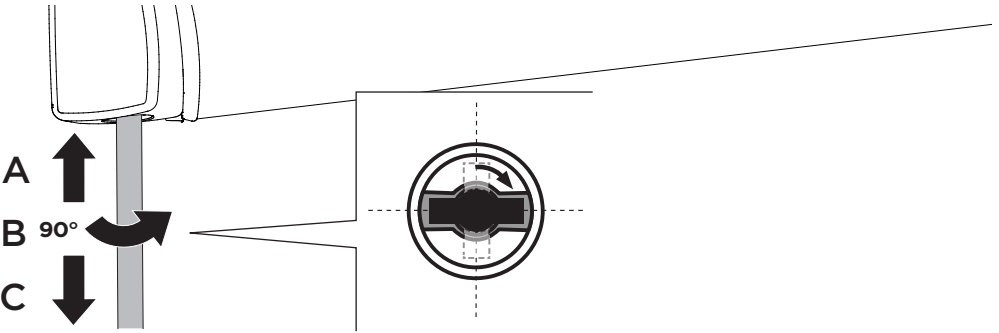


## 2 OPEN

i

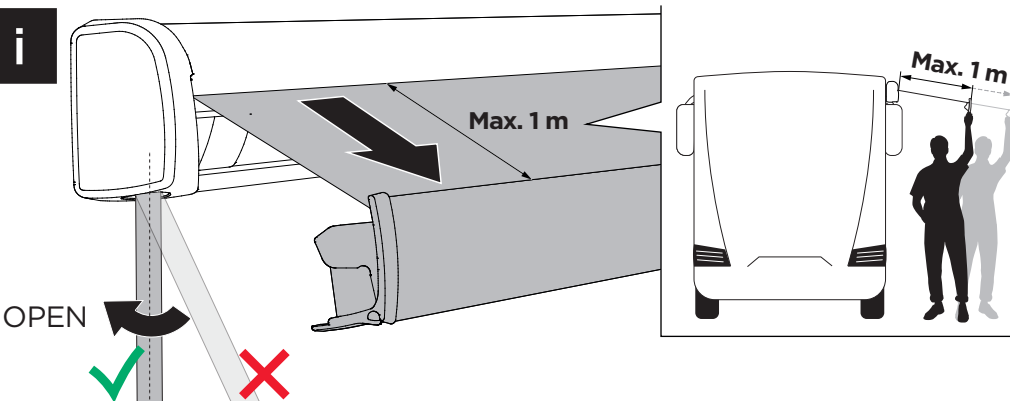


1



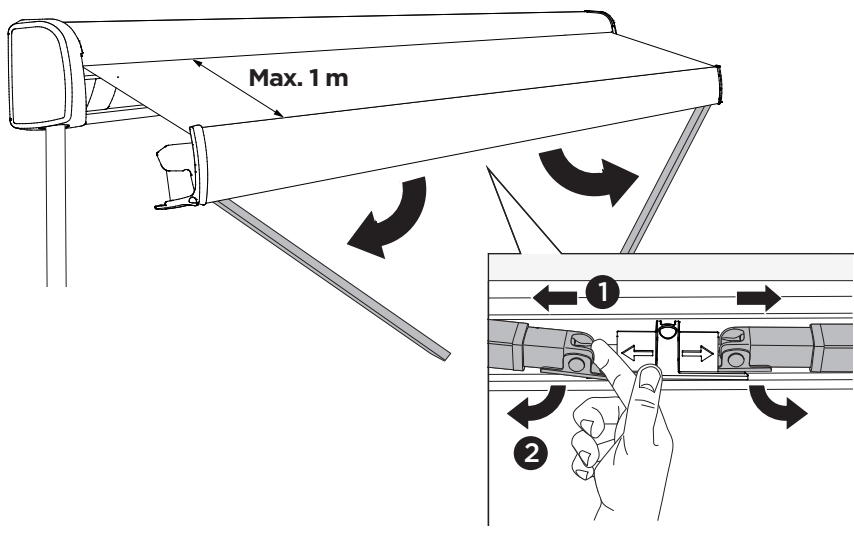
2

i

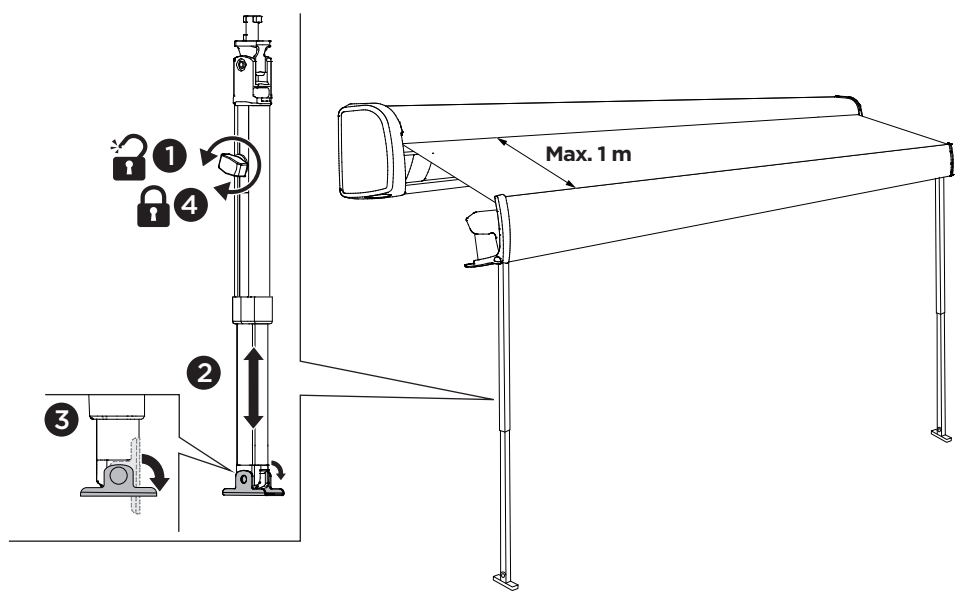


3

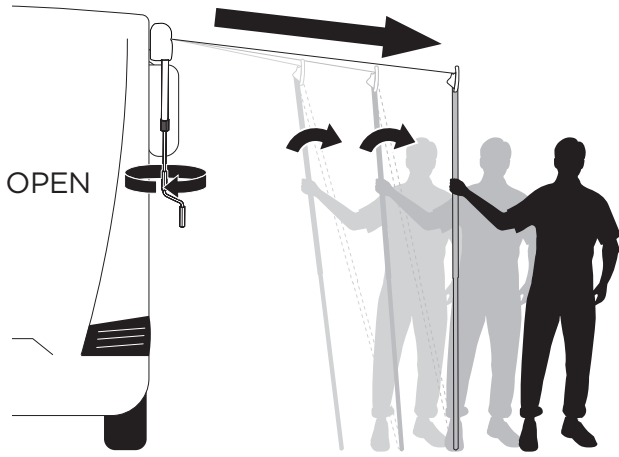
A



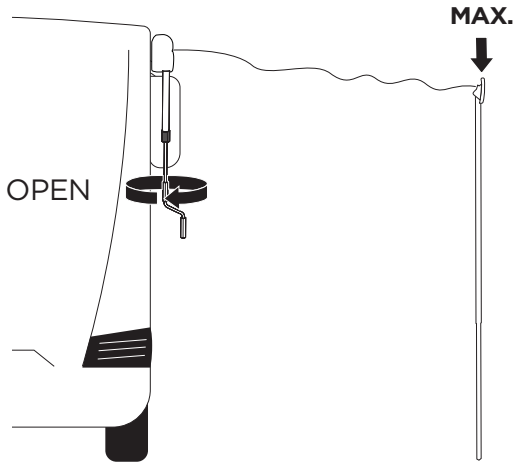
B



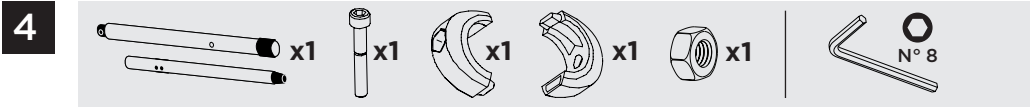
**C**



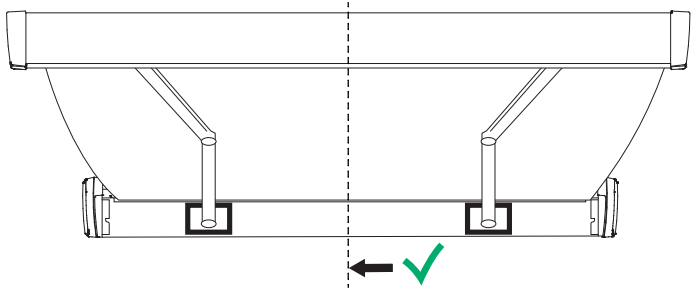
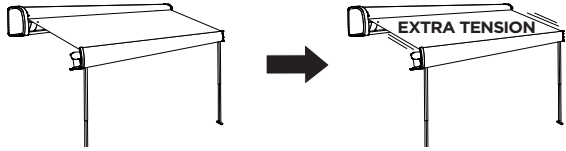
**D**



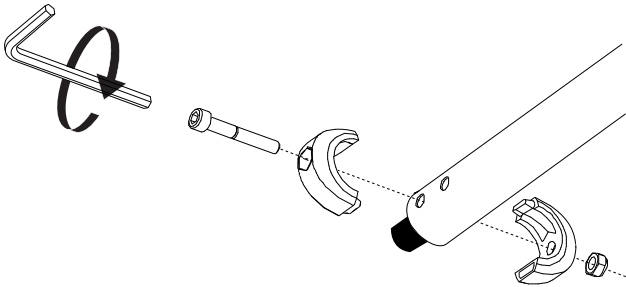




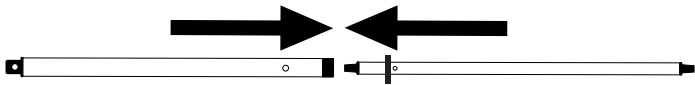
TENSION RAFTER G2 307307 / 307309	2,6M 307307	3,0M 307309	3,5M 307309	4,0M 307309	4,5M 307309
	OPTION	OPTION	OPTION	✓	✓

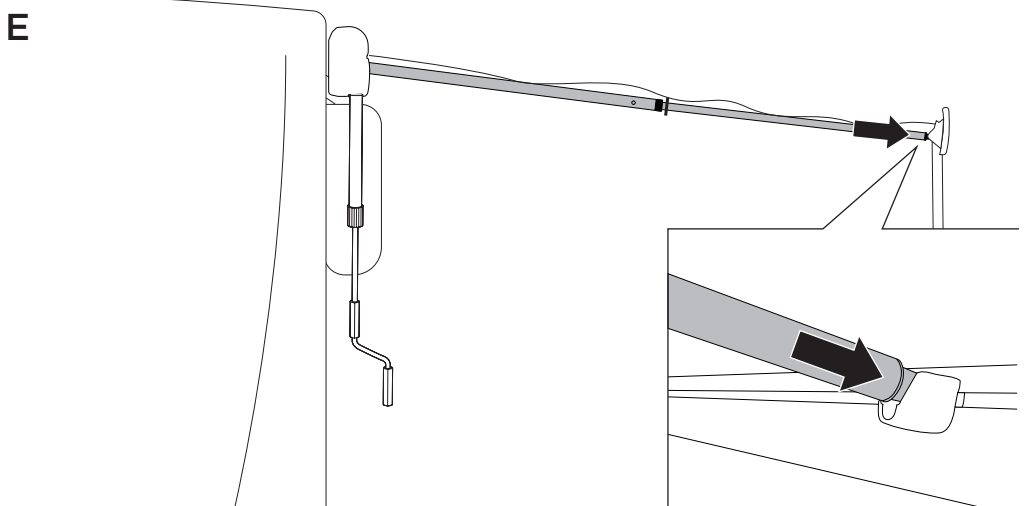
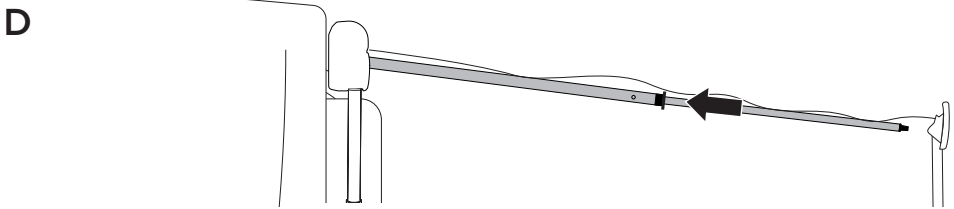
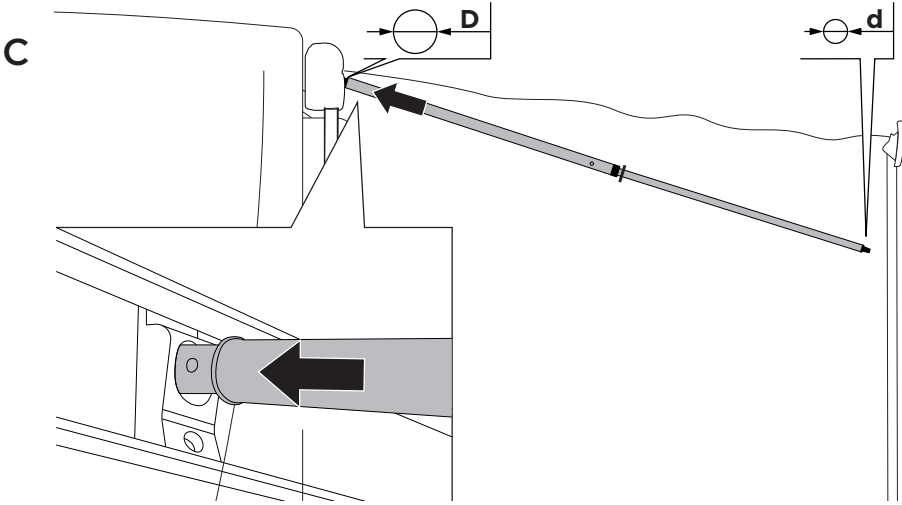


**A**

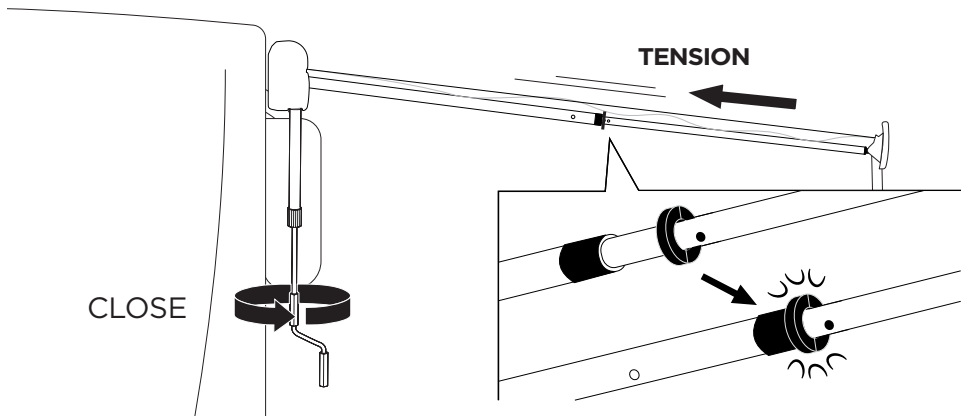


**B**

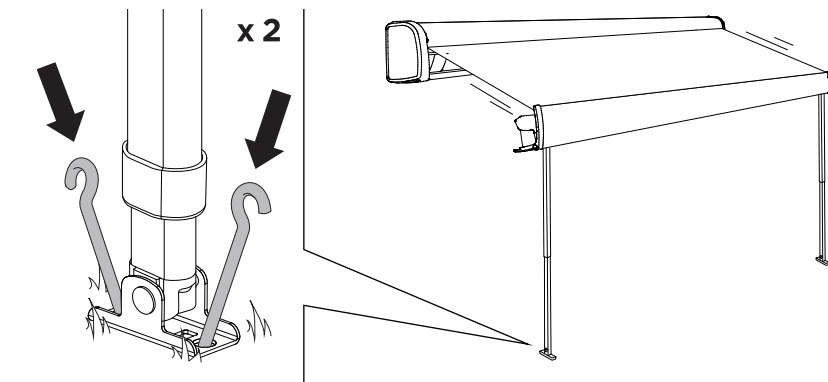




5

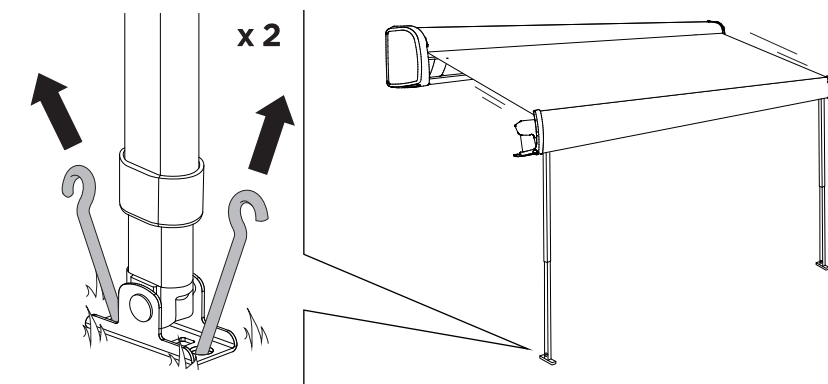


6

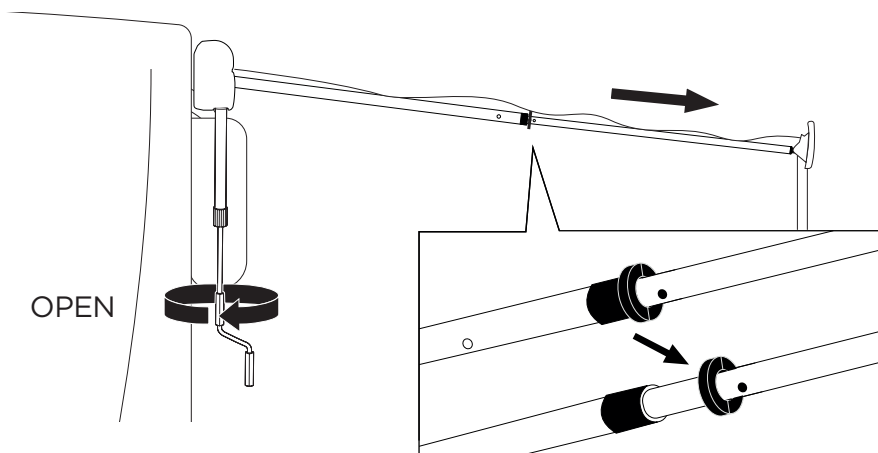


### 3 CLOSE

1



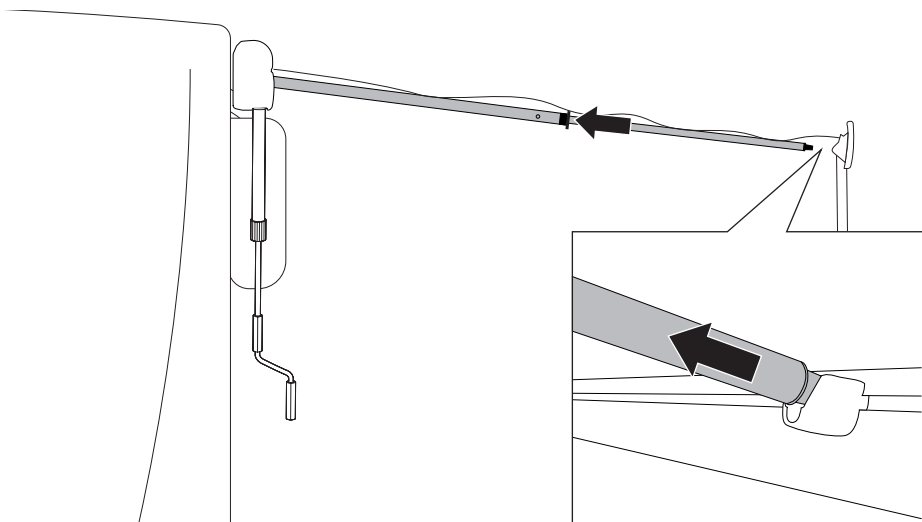
2



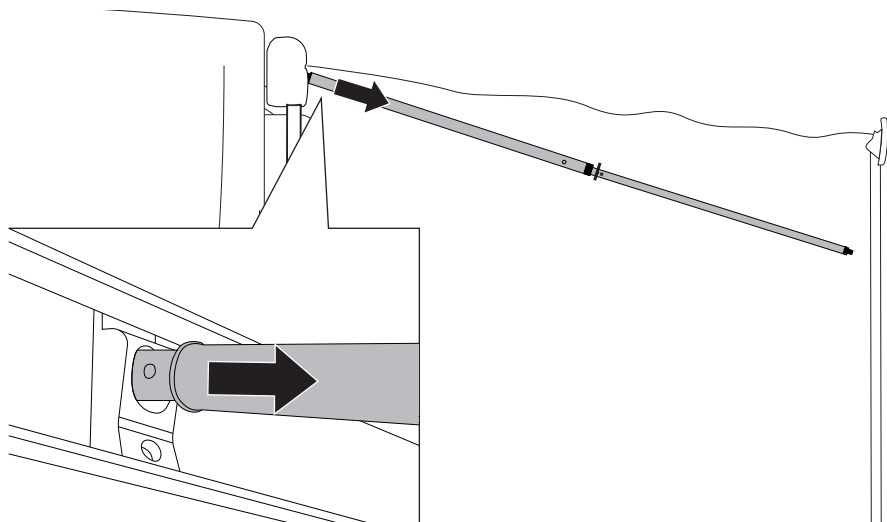
3

TENSION RAFTER G2 307307 / 307309	2,6M 307307	3,0M 307309	3,5M 307309	4,0M 307309	4,5M 307309
	OPTION	OPTION	OPTION	✓	✓

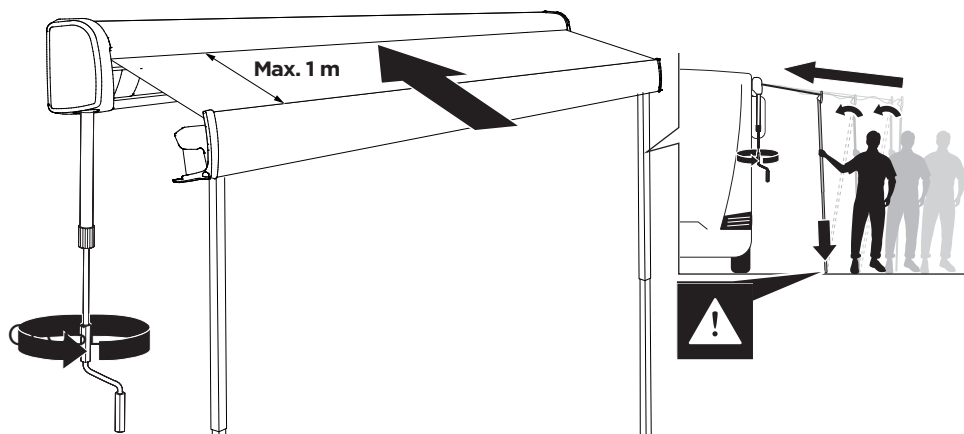
A



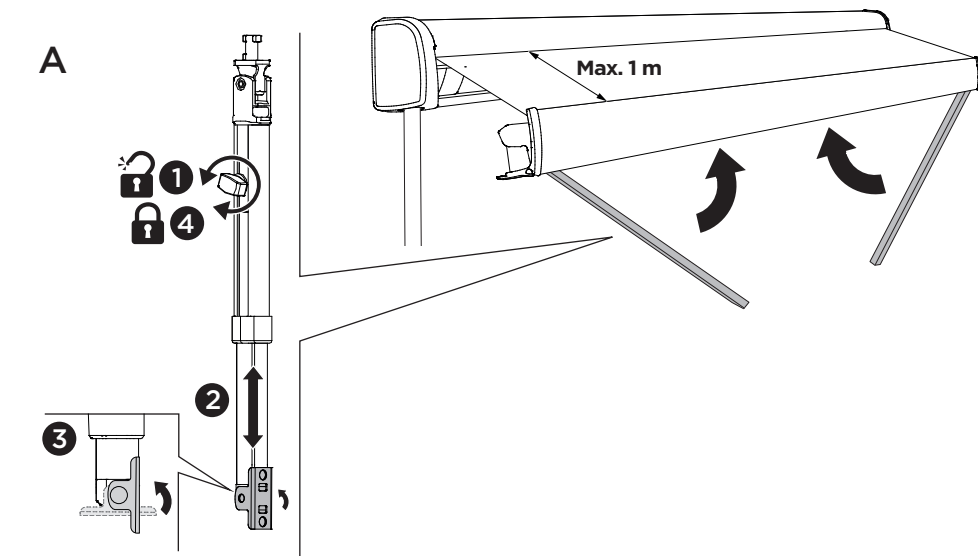
B

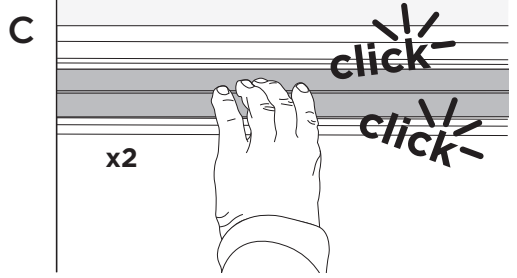
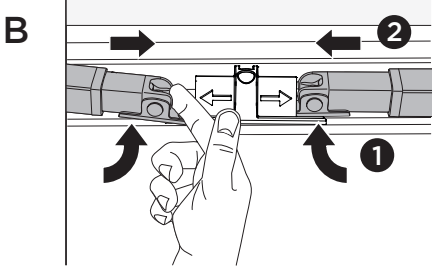
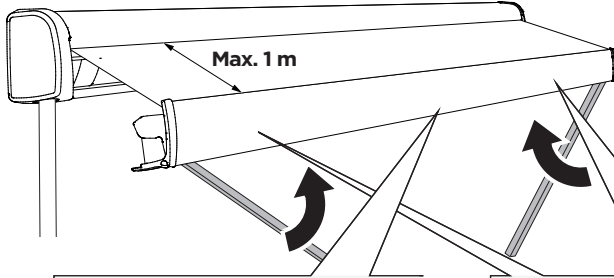


4

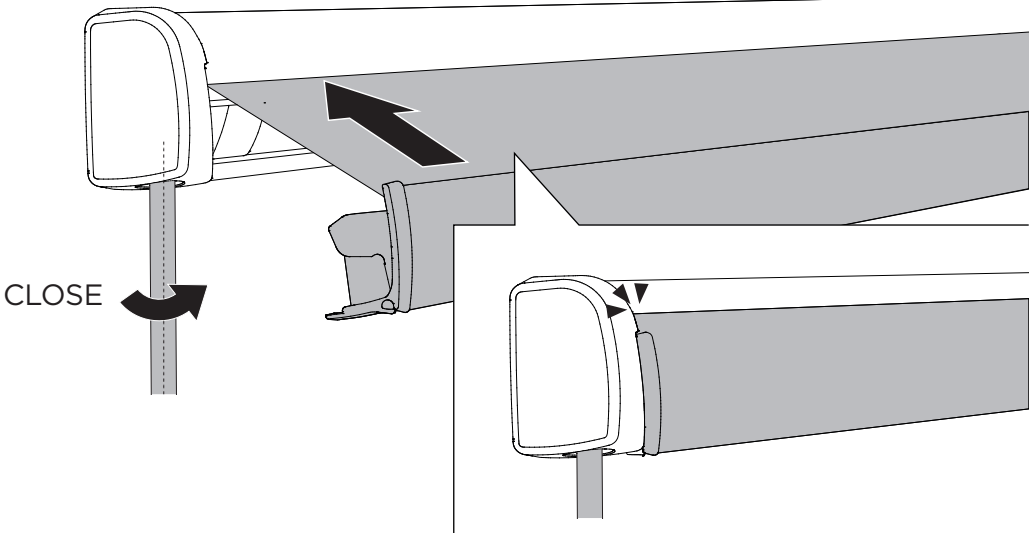


5





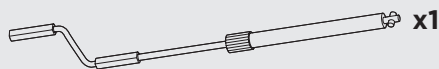
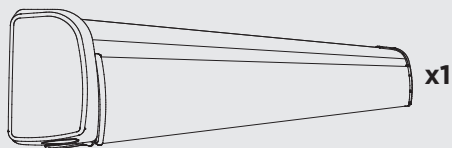
**6**







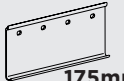

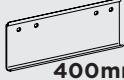

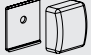
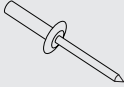
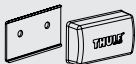
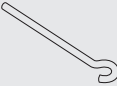

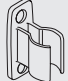

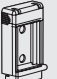






# INSTALLATION

## 4 CONTENT

AWNING



	2,6m	3,0m	3,5m	4,0m	4,5m		2,6m	3,0m	3,5m	4,0m	4,5m
 <b>40mm</b>	x1	x1	x1	x2		 4,2 x 16 mm DIN 7504N TX20	x5	x5	x5	x6	x5
 <b>80mm</b>	x2	x2			x1	 M6 DIN 934	x7	x7	x7	x8	x10
 <b>175mm</b>			x2	x2		 M6 DIN 6798	x7	x7	x7	x8	x10
 <b>400mm</b>					x2	 M5 DIN 125	x4	x4	x4	x4	x4
	x3	x3	x3	x4	x4		x4	x4	x4	x4	x4
	x2	x2	x2	x2	x3		x4	x4	x4	x4	x4
 M6 x 55 mm DIN 965 - TX30	x2	x2	x2	x2	x2		x2	x2	x2	x2	x2
 M6 x 55 mm DIN 603	x5	x5	x5	x6	x8		x2	x2	x2	x2	x2
 4,2 x 25 mm DIN 7981 - TX20	x4	x4	x4	x4	x4					x1	x1
 4,2 x 25 mm DIN 7982 - TX20	x4	x4	x4	x4	x4					x1	x1

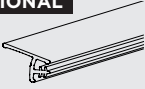




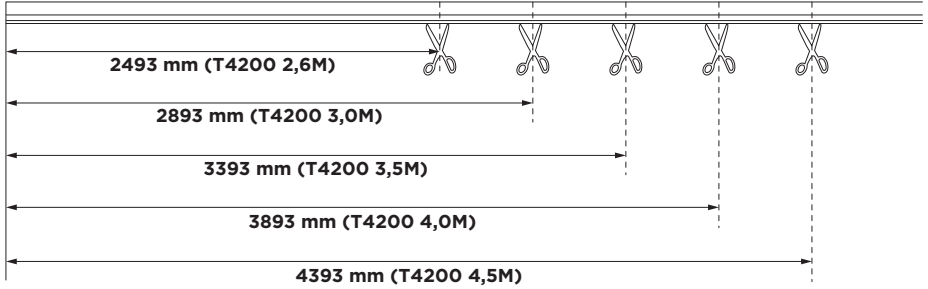
## 6 GUTTER INSTALLATION

1

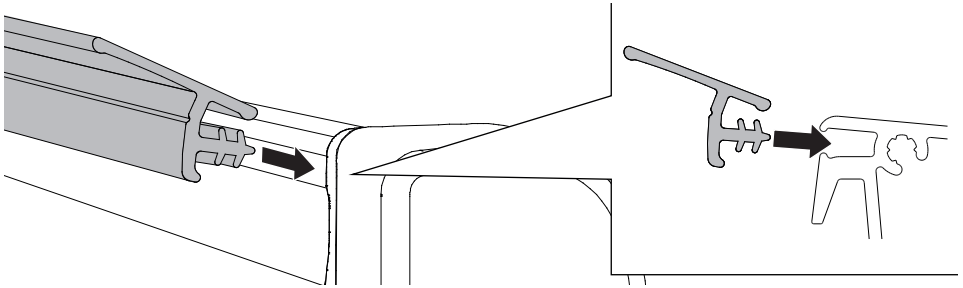
OPTIONAL



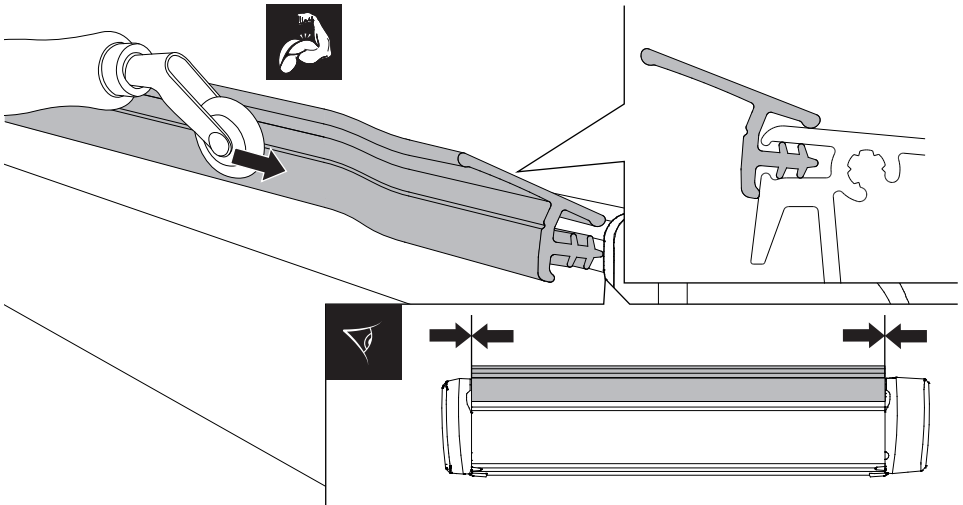
A



B



C



# 7 INSTALLATION

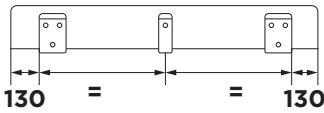
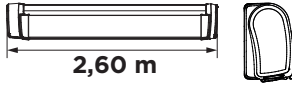
1



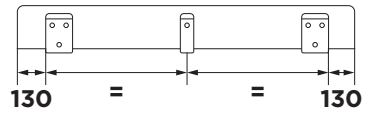
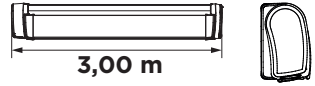
**DEGREASER**

i

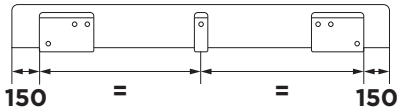
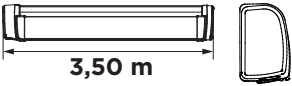
**FIX X or Y**



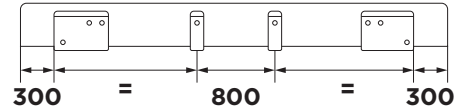
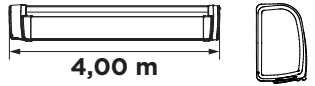
**FIX X or Y**



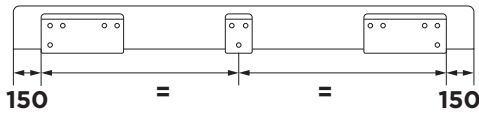
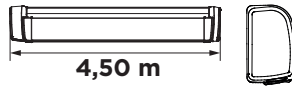
**FIX Y or Z**



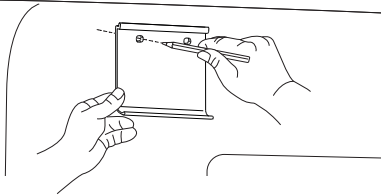
**FIX Y or Z**



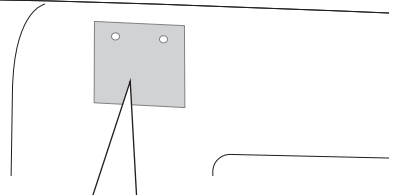
**FIX Y or Z**



A



B



1



2



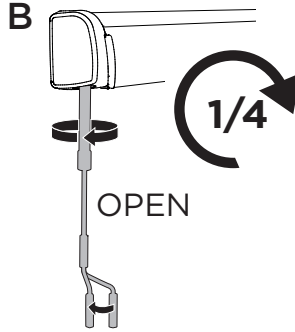
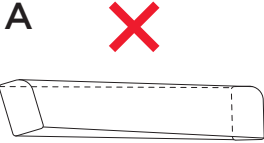
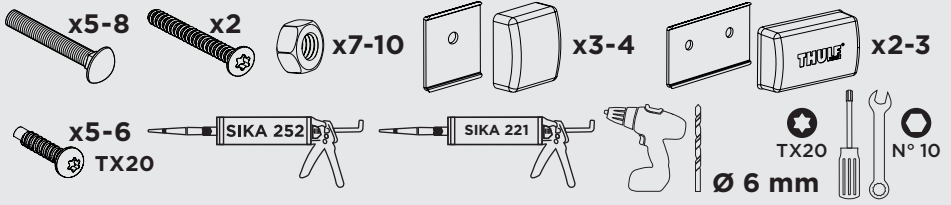
3



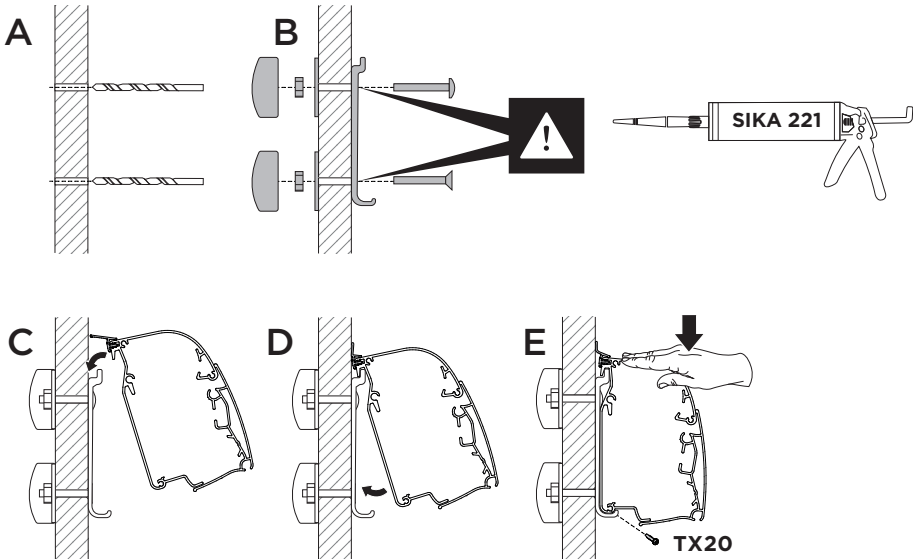
4



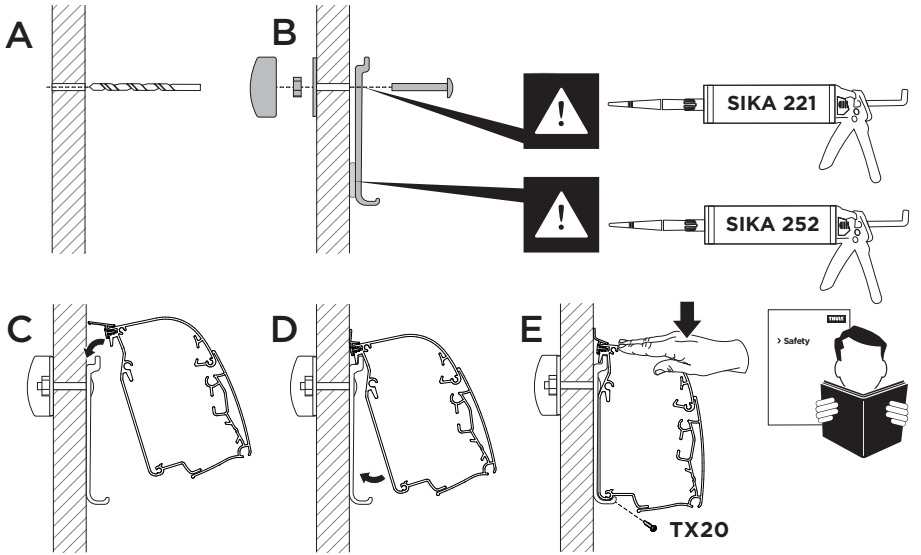
**2**



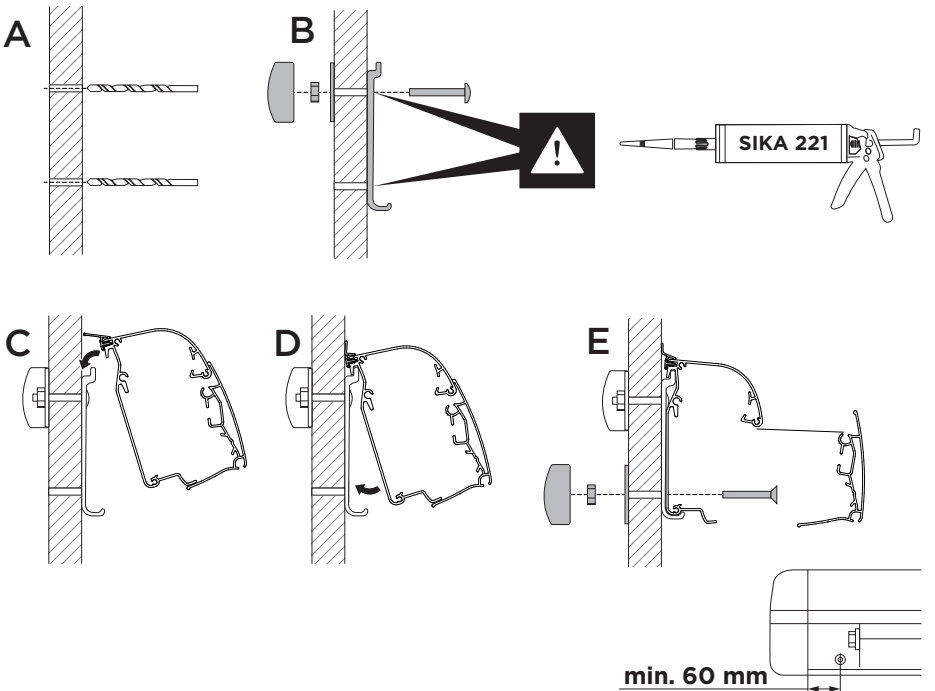
**FIX X**



**FIX Y**

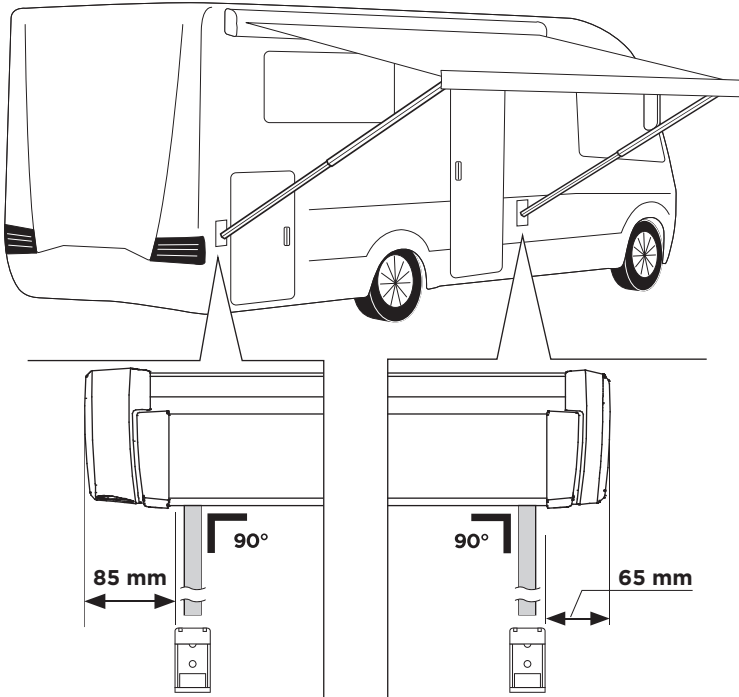


**FIX Z**



## 8 FOOT SUPPORT INSTALLATION

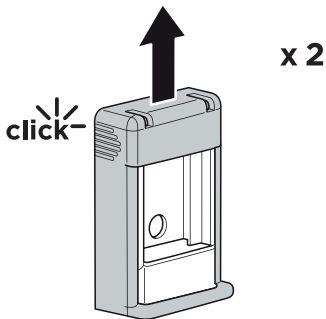
**i**



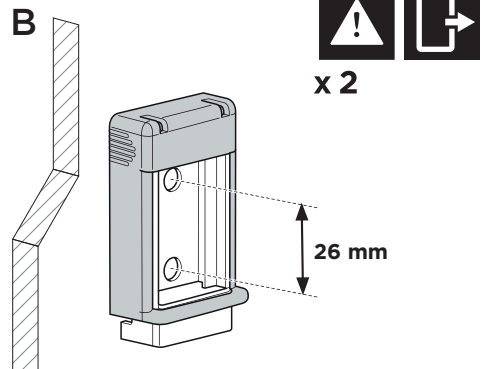
**1**



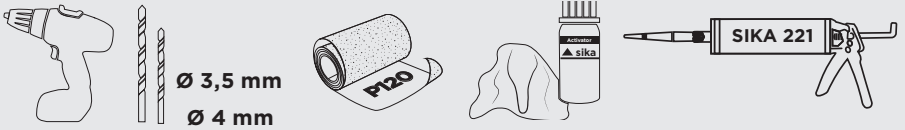
**A**



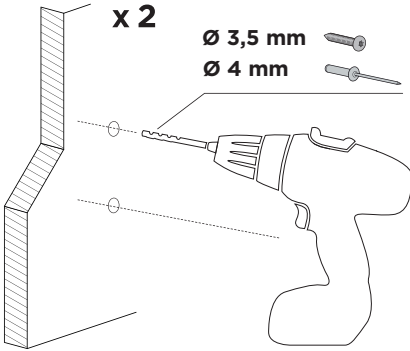
**B**



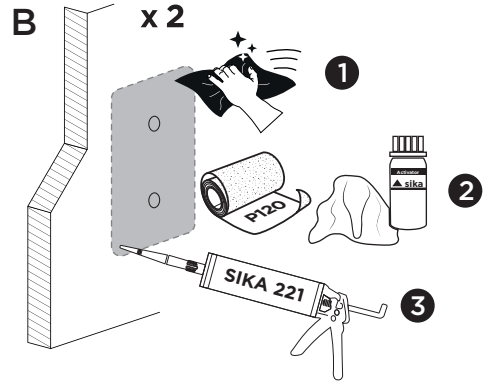
2



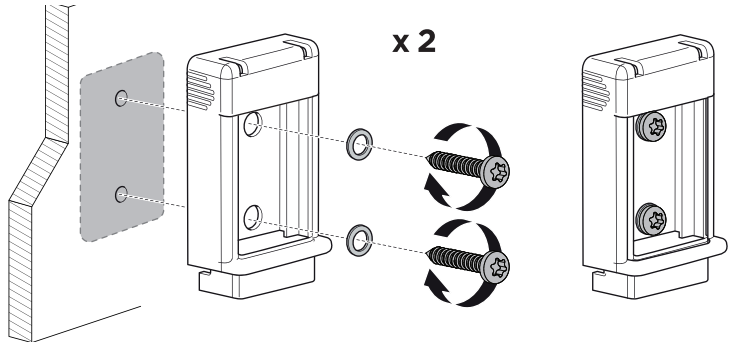
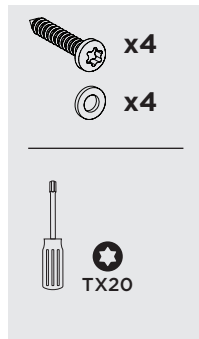
A



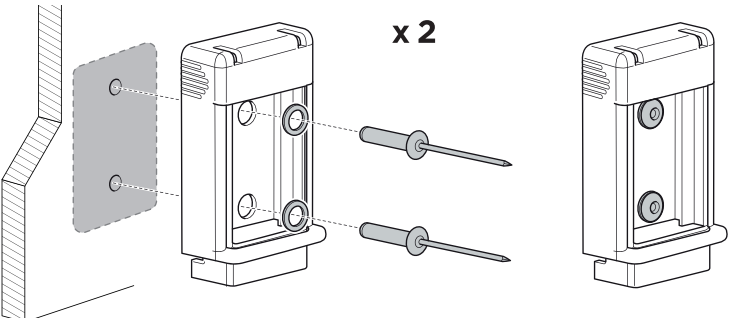
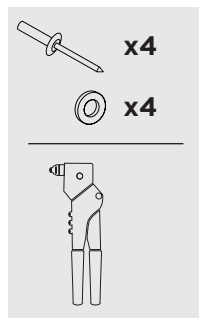
B



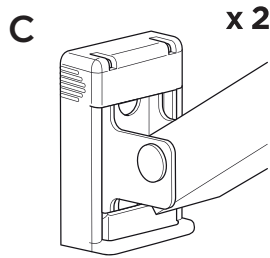
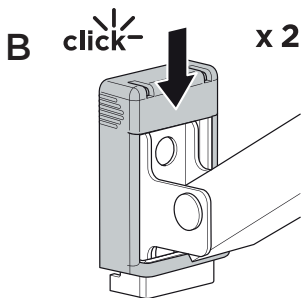
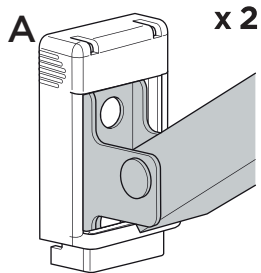
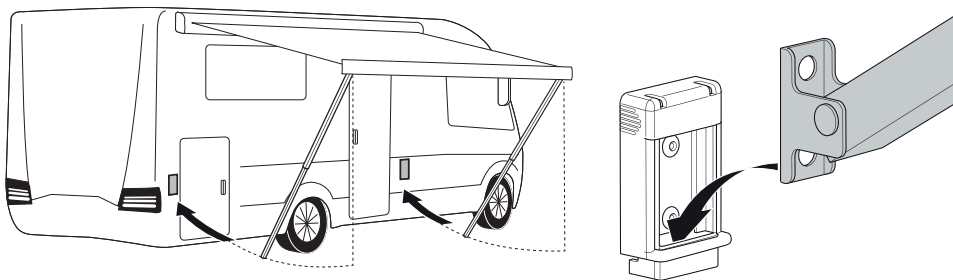
3



OR

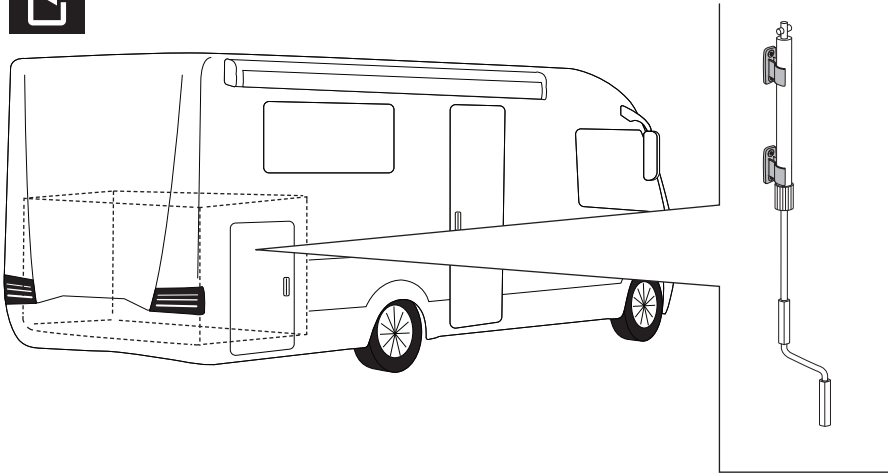
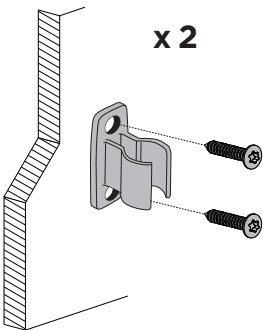


4





## 9 HAND CRANK SUPPORT INSTALLATION

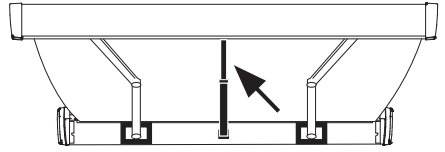
**1**

# 10 ACCESSORIES

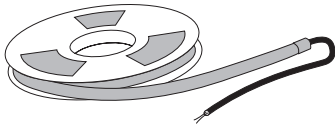
**Thule Hold Down Side Strap Kit (307916)**



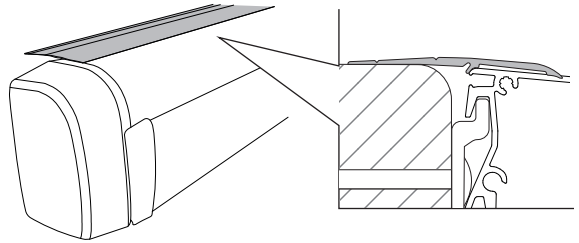
**Thule Tension Rafter G2 (307307 / 307309)**



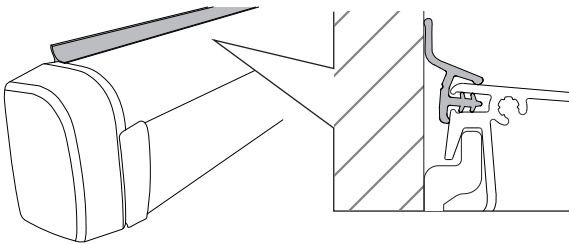
**Thule LED Strip (307135 - 307137)**



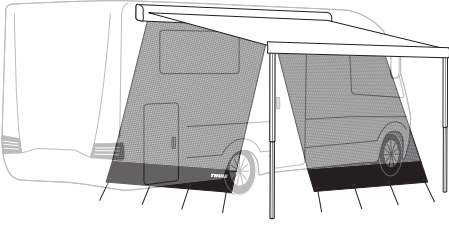
**Thule Sealing Rubber (306891 - 306892)**



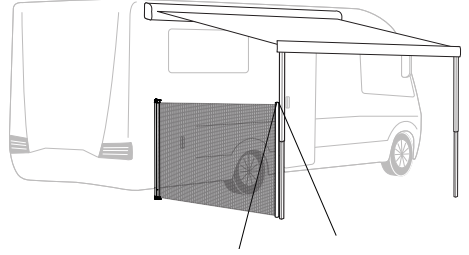
**Thule Sealing Rubber (302690 - 302693)**



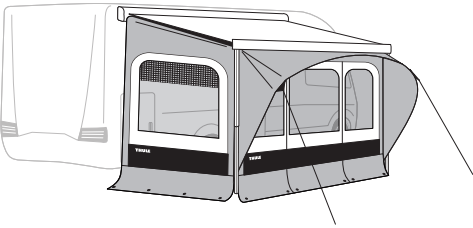
**Thule Sun Blocker G2**



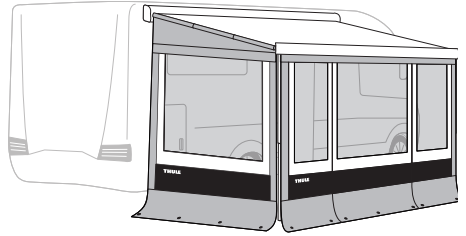
**Thule Windscreen**



**Thule QuickFit**



**Thule Residence G3**



**Thule Rain Blocker G2**

