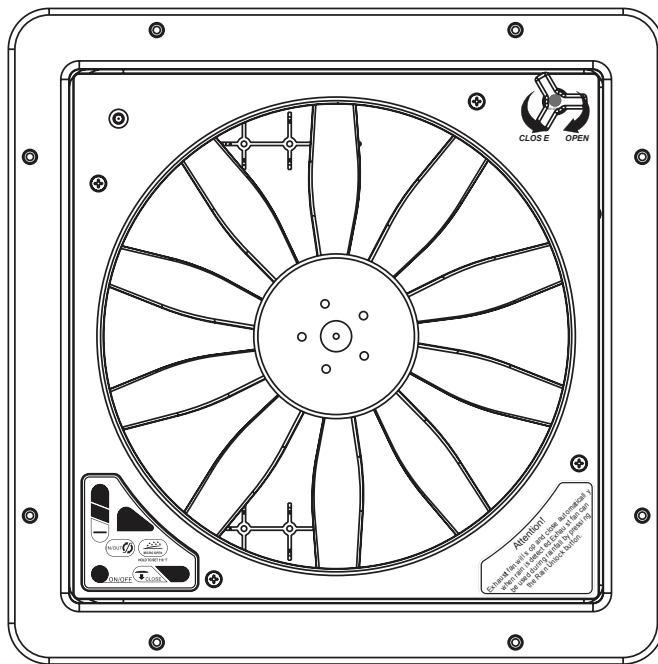




ELECTRIC AIR VENT

USER MANUAL





Read this installation instruction thoroughly.
 Incorrect installation or operation may void any warranty.
 Incorrect use or operation may cause serious injury.

PRODUCT INTRODUCTION

The Aussie Traveller Electric Air Vent is a premium model air vent for your caravan or RV that is packed with features. The remote control, rain sensor and 6 speed fans make this a high-quality choice of ventilation.

Available in white or smoke black lid options, with or without LED lights to suit all RVs.

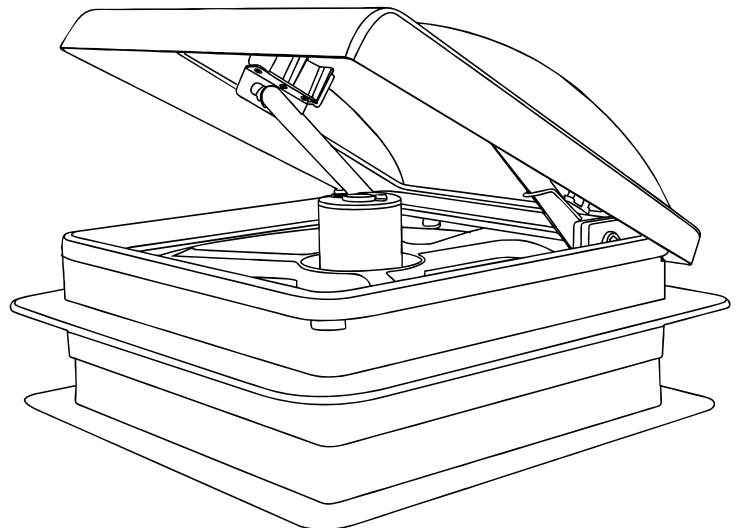
FEATURES:

- Electric Operation with Remote Control
- Automatic Rain Sensor
- 6 Speed Fans with Reverse Air Flow
- Micro Open - Vent Stays Slightly Open
- White or Smoke Black Lid
- LED Lights (*LED model only*)

DESCRIPTION	COLOUR	PART NUMBER
Air Vent Hatch 14" Electric Control	Smoke Black	4140000001080
Air Vent Hatch 14" Electric Control	White	4140000001020
Air Vent Hatch 14" Electric Control with LED	Smoke Black	4140000002080
Air Vent Hatch 14" Electric Control with LED	White	4140000002020

SPECIFICATIONS

RATED POWER	5-30W
RATED VOLTAGE	12V DC
EXHAUST FLOW RATE	10 - 15 m ³ /min
DIMENSIONS (LxWxH)	420 x 420 x 200mm
CUTOUT SIZE	340mm, 14"x14"
WEIGHT	5.5kg



PACKING LIST:

- 1 x Electric Air Vent
- 1 x Remote Control
- 1 x User Manual



1300 663 868 | enquiries@aussietraveller.com.au | aussietraveller.com.au

BRISBANE SHOWROOM: 11-15 Oasis Court, Clontarf QLD 4019 | MELBOURNE SHOWROOM: 235 Barry Road, Campbellfield VIC 3061

SAFETY PRECAUTIONS

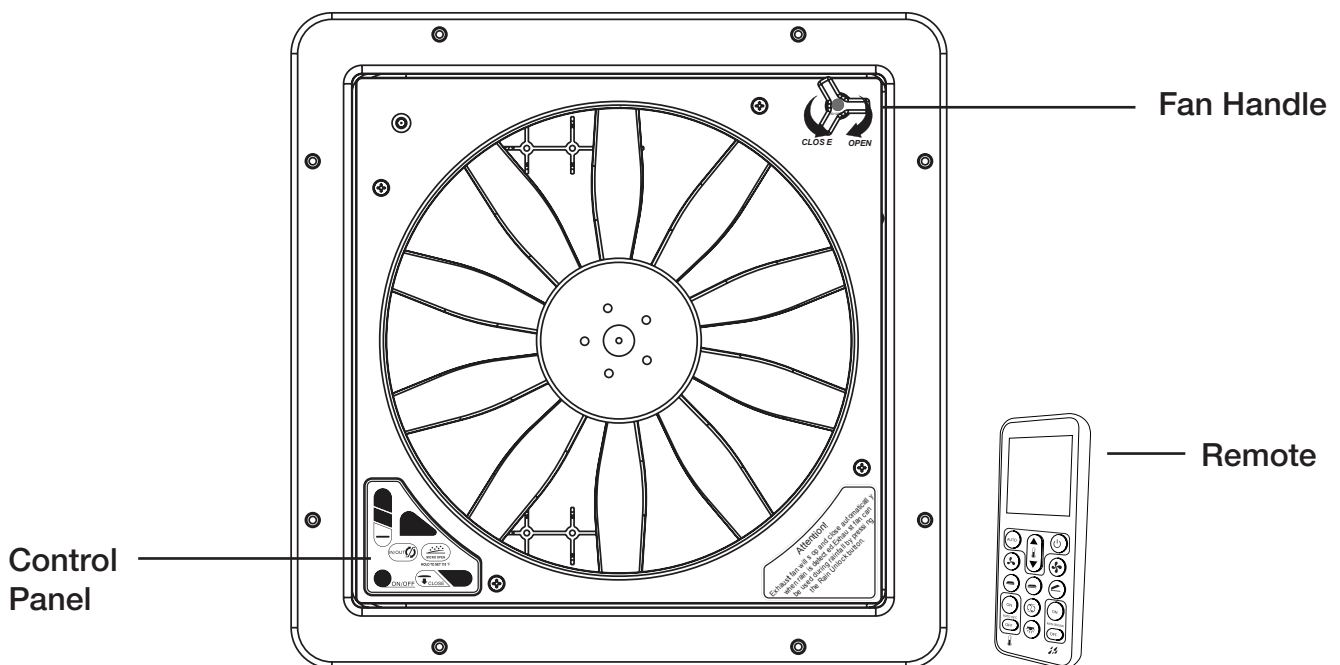
WARNING: Please read and understand all safety precautions, installation instructions, and operating instructions before operating this appliance. Failure to properly follow the guidelines established here could result in severe injury, fire or even death. Keep this manual for future reference.

- **FALL HAZARD:** Vent fans are normally located on the roof of an RV. It is inherently dangerous to climb onto the roof of an RV to perform installation, maintenance, or repairs on a vent fan. Take appropriate precautions when climbing onto the roof of an RV or when working on the roof of an RV. Failure to do so could result in a fall, causing serious injury or death.
- Keep appliance away from children. Never let children operate the unit.
- Do not modify or alter this appliance.
- Ensure appliance is disconnected from power supply before performing the installation process. Failure to do so could result in severe injury.
- Do not leave the vent fan lid open and unattended for extended periods of time, or under unusual weather conditions that may result in leakage and serious damage.
- Do not use this product in harsh weather conditions.
- Do not wear or hold loose clothes, fabric, jewellery, or other materials near vent fan. If anything gets caught in the fan blades, unplug the fan immediately and then remove the blockage, to avoid injury.

PRODUCT OVERVIEW

RECOMMENDED TOOLS:

- Measuring tape
- Philips screwdriver
- Waterproof sealant
- Pencil
- Drill



1300 663 868 | enquiries@aussietraveller.com.au | aussietraveller.com.au

BRISBANE SHOWROOM: 11-15 Oasis Court, Clontarf QLD 4019 | MELBOURNE SHOWROOM: 235 Barry Road, Campbellfield VIC 3061

INSTALLATION

NOTE: Make sure appliance is disconnected from power supply before starting the installation process.

STEP 1:

This fan requires a 14" by 14" (360 × 360mm) roof opening. Place the mounting flange into the roof opening (with the fan lid opening facing the rear of the RV) and trace the outline of the mounting flange with a pencil. (You will need to be on the roof of the RV to install the mounting flange.)

If replacing a vent fan, make sure when removing old vent fan to remove all old sealant. Clean the surrounding roof opening of any sealant or other debris. Check roof opening for any damages or leaks before continuing new installation.

STEP 2:

Remove the mounting flange from the roof opening and turn it upside down. Apply compatible sealant or caulking on the underside of the mounting flange.



STEP 3:

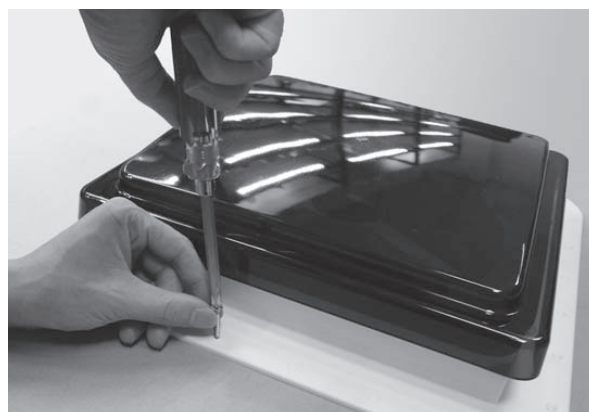
Flip the fan over and carefully lower the fan into the roof opening. Use the traced outline to position the fan correctly.

STEP 4:

Press the mounting flange down onto the RV roof to secure the fan.

STEP 5:

Fasten mounting flange to the roof with provided screws.



STEP 6:

Apply additional sealant over the screws and around the mounting flange to avoid gaps and holes in the caulking.

1300 663 868 | enquiries@aussietraveller.com.au | aussietraveller.com.au

BRISBANE SHOWROOM: 11-15 Oasis Court, Clontarf QLD 4019 | MELBOURNE SHOWROOM: 235 Barry Road, Campbellfield VIC 3061

INSTALLATION

STEP 7:

Using the electrical wiring provided, connect the fan's power wires to the RV's 12 V power supply.

NOTE: Red wire must be connected to the vehicle's positive terminal while the black wire is connected to the negative terminal. The blue wire connects to the brake control system of the vehicle.

STEP 8:

Measure the thickness of the RV roof. If your roof is thinner or the length of the interior garnish is too long, the garnish can be trimmed down to fit in your roof opening.



STEP 9:

Place interior garnish over fan from inside of the RV. Install the interior garnish securely with provided screws.



1300 663 868 | enquiries@aussietraveller.com.au | aussietraveller.com.au

BRISBANE SHOWROOM: 11-15 Oasis Court, Clontarf QLD 4019 | MELBOURNE SHOWROOM: 235 Barry Road, Campbellfield VIC 3061

OPERATION

REMOTE CONTROL FUNCTIONS:



— Press to turn the fan ON and OFF.

ON

— Turns on or off rain sensor. Press the button for three (3) seconds to enable or disable automatic closure of fan sunroof when raining. A beep sound indicates feature is enabled.



OFF

AUTO — Enables Automatic functions.



— Opens fan sunroof.



— Keeps fan sunroof still in a slightly open position. Press the button for three (3) seconds to enable or disable the automatic flow of air going out at high temperatures. A beep sound indicates feature is enabled.



— Closes fan sunroof.



— Increases fan speed



— Decreases fan speed.



— Increases temperature hatch automatically opens/closes.



— Decreases temperature hatch automatically opens/closes.



— Changes the direction the fan blades spin and flow of air.



— Turns on light. (*LED model only*)

ON

— Resets temperature to 45°C or temperature that has been set.

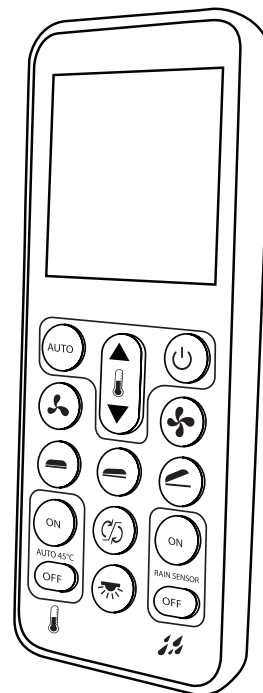


OFF

— Exits out of temperature setting and saves new set temperature.

This fan comes with six levels of speed:

- Level 1: 5W, lowest volume, suitable for night sleep
- Level 2: 8W, subtle and quiet
- Level 3: 14W, low strength and noise
- Level 4: 22W, moderate strength and noise
- Level 5: 30W, high strength airflow to produce higher cooling levels
- Level 6: 40W, Most efficient level for airflow and cooling



1300 663 868 | enquiries@aussietraveller.com.au | aussietraveller.com.au

BRISBANE SHOWROOM: 11-15 Oasis Court, Clontarf QLD 4019 | MELBOURNE SHOWROOM: 235 Barry Road, Campbellfield VIC 3061

OPERATION

FAN CONTROL FUNCTIONS:

ON/OFF – Turns the fan on or off.

IN/OUT – Changes the direction of the fan's airflow. The fan will slow down and pause for two (2) seconds before resuming operation in the opposite direction.

OPEN – Opens fan sunroof.

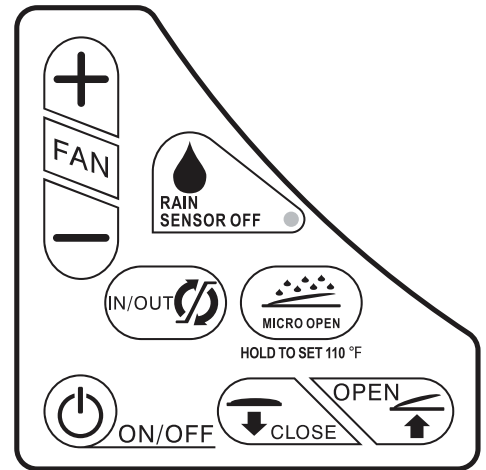
CLOSE – Closes fan sunroof.

MICRO OPEN - Keeps cover still in a slightly open position. Hold this button in order to reset temperature back to 45°C.

PLUS – Increases fan speed.

MINUS – Decreases fan speed.

RAIN SENSOR OFF – Indicates when rain sensor is on or off. If light is on, Rain Sensor is off. If light is off, Rain Sensor is on.



TEMPERATURE CONTROL FUNCTIONS:

If the current temperature is higher than the set temperature, the fan sunroof will automatically open and the air will flow out. If the current temperature is lower than the set temperature, the fan sunroof will automatically close. The temperature can be adjusted between a range of 26°C – 50°C. When the temperature is adjusted to the lowest or highest setting, a buzzer sound will go off.

This section gives greater detail on how to operate temperature controls:

- Press TEMP ON to reset temperature to 43°C. A buzzer will sound when you do this.
- To change the temperature, press the UP TRIANGLE button to increase temperature by one (1°) degree. Press the DOWN TRIANGLE button to decrease temperature by one degree. If no buttons are pressed within five (5) seconds, a buzzer will sound off, the fan will automatically exit out of temperature control setup, and maintain the current set temperature.
- Press TEMP OFF to exit out of the temperature setting and confirm the current temperature as the set temperature. A buzzing sound will go off after TEMP OFF is pressed.
- Disconnecting the fan from the power will turn off temperature control and reset the set temperature back to 43°C.
- Temperature control setup can only be done on the remote control. The buttons on fan control panel can not be used to set the temperature.

AUTOMATIC FUNCTIONS:

- Fan sunroof will automatically close when rain is detected. To turn off this feature and open fan sunroof once again, press the RAIN SENSOR OFF button on the remote control.
- When RV is parked, vent fan will automatically blow air out when the internal temperature is above 50°C and it will stop when the temperature goes below 45°C.
- Fan sunroof will automatically close when the parking brake is released.

CARE & MAINTENANCE

1. Turn off fan and disconnect wiring from RV power supply before inspecting and cleaning fan.
2. Place a good amount of denatured or rubbing alcohol on a clean rag and wipe down the underside of the fan sunroof.
3. Hold down fan blades in order to remove screw located at the centre of the fan blade. Once the fan blades are removed, use soap and warm water to clean them.
4. Screw fan blades back onto foundation once it is clean and dry.
5. Reconnect wires when the maintenance and cleaning process is finished.

1300 663 868 | enquiries@aussietraveller.com.au | aussietraveller.com.au

BRISBANE SHOWROOM: 11-15 Oasis Court, Clontarf QLD 4019 | MELBOURNE SHOWROOM: 235 Barry Road, Campbellfield VIC 3061

WARRANTY STATEMENT

Aussie Traveller Pty Ltd ACN 642 775 460 (**Aussie Traveller**) offers the following warranty in relation to the products it supplies directly or through an authorised manufacturer, dealer or approved service repair agent (**Product**).

Australian Consumer Law

The benefits of this warranty are in addition to any rights and remedies imposed by Australian State and Federal legislation that cannot be excluded. Nothing in this warranty is to be interpreted as excluding, restricting or modifying any State or Federal legislation applicable to the supply of goods and services which cannot be excluded, restricted or modified.

If you are a consumer as defined in the Australian Consumer Law: *Our goods come with guarantees that cannot be excluded under the Australian Consumer Law. You are entitled to a replacement or refund for a major failure and compensation for any other reasonably foreseeable loss or damage. You are also entitled to have the goods repaired or replaced if the goods fail to be of acceptable quality and the failure does not amount to a major failure.*

Warranty

Aussie Traveller warrants that, subject to the exclusions and limitations below, all parts of the manufacture and assembly of the Product will be free from defects in materials and workmanship (**Warranty**) for a period of 12 months from the date of purchase as follows:

1. This Warranty is activated at the time of purchase by the final retail customer (being the owner of the Product).
2. In the event the Product is purchased by a manufacturer, dealer or approved service repair agent, this Warranty will commence at the time the final retail customer makes payment for the Product to the wholesale purchaser.
3. If the Product is purchased directly from Aussie Traveller for use by final retail customer and not to be on sold in any way, the Warranty will commence at the time of the original purchase.

Warranty Period

This Warranty cannot be assigned or transferred to a subsequent owner of the Product.

The purchaser or final retail customer should inspect the Product immediately when received or at vehicle handover, to ensure that it appears free from any damage or defect, and matches the description provided.

If after accepting the Product, a defect appears in the manufacture or assembly of the Product before the end of the Warranty Period and Aussie Traveller finds the Product to be defective in materials or workmanship, Aussie Traveller will, in its sole discretion, either:

- a. replace, repair or refund the Product or the defective part of the Product free of charge; or
- b. cause the Product or the defective part of the Product to be replaced or repaired by a qualified repairer free of charge.

In arranging Warranty inspection, service and repair, Aussie Traveller will seek to provide the details of an approved service agent within your geographic area. Should one not be available, or if the Product is in use in travel, Aussie Traveller reserves the right to seek to arrange a repair or replacement at the next available location on the route of travel.

Aussie Traveller reserves the right to replace defective parts of the Product with parts and components of similar quality, grade and composition where an identical part or component is not available.

Products presented for repair may be replaced by refurbished goods of the same type rather than being repaired. Refurbished parts may be used to repair the Product.

Aussie Traveller Awning Products

This Warranty covers specified defects in materials or workmanship for Awning Products as follows:

1. The vinyl fabric is warranted against:
 - a. holes caused by mildew (mildew will form on dust and dirt and stain fabric if fabric is not kept clean).
 - b. excessive cracking, peeling, hardening or loss of strength while used under normal conditions.
 - c. excessive fading (a slight colour change may occur due to ultraviolet rays).
2. All hardware components including the roller are warranted not to bend or break under normal use (excluding high winds, water pooling and accidents).

Making a Warranty Claim

If a defect covered by this Warranty appears, the Customer must first contact Aussie Traveller within 7 days of first becoming aware of the defect. Aussie Traveller will assist the Customer to rectify and resolve any Product issue that may arise.

When making a claim under this Warranty, Aussie Traveller requires that the following information be provided before any further action will be taken.

1. Original Invoice (Document or Number);
2. Make and model of the Product;
3. Make and model of the vehicle (if Product fitted);
4. Vehicle build date (if Product fitted);
5. Vehicle chassis number;
6. Description of damage and/or repair required;
7. Photos of the damage and/or repair; and
8. Appropriate documentation (such as historical and maintenance records).

Aussie Traveller reserves the right to request more information or images should what is provided not be sufficient to make an assessment for the Warranty claim.

The Product must be made available to Aussie Traveller or its authorised repair agent for inspection and testing. If such inspection and testing find no defect in the Product, the final retail customer must pay Aussie Traveller's usual costs of service work and testing.

The final retail customer must bear the cost of the transport of the Product to and from Aussie Traveller or the authorised repair agent, and all insurance of the Product.

Exclusions

This Warranty will not apply where:

- the Product has been repaired, altered or modified by someone other than Aussie Traveller, or without the written consent of Aussie Traveller or an authorised repair agent;
- the alleged defect in the Product is within acceptable industry tolerances and variances;
- Aussie Traveller cannot establish any fault in the Product after testing and inspection;
- the Product has been used other than for the purpose for which it was designed;
- the alleged defect in the Product has arisen due to the final retail customer's failure to properly use and maintain the Product in accordance with any of Aussie Traveller's instructions, recommendations and specifications (including applicable maintenance schedules);
- the alleged defect in the Product has arisen due to the final retail customer's request to customise the Product;
- the Product has been subject to abnormal conditions, including environment, temperature, high or excessive wind, water, fire, humidity, pressure, stress or similar;
- the alleged defect has arisen due to abuse, misuse, neglect or accident;
- unauthorised parts or accessories have been used on or in relation to the Product;
- the Product has been overloaded or involved in an accident;
- the alleged damage or defect has been caused by normal wear and tear;
- the alleged damage to fabric has been caused by storm, wind or rain, or stretching of fabric caused by water pooling on fabric;
- breakage or bending of hardware components has been caused by storm, wind or rain, or water pooling on fabric.

Replacement Warranty Item

If, under Warranty, a Product is replaced or repaired by Aussie Traveller or an Aussie Traveller agent, unless provided in writing to indicate otherwise, the replacement Product will carry the **remaining** Warranty terms and conditions, including length of time, of the original purchased Product.

Change of Mind

Aussie Traveller understands that at times, final retail customers may change their mind. Choose carefully as return and credit requests for items purchased by mistake or "change of mind" reasons may not be approved. Aussie Traveller will not accept Product returns under these circumstances unless by written approval by an authorized Aussie Traveller representative. If approved, an administration and restocking fee may apply.

Limitations

Aussie Traveller makes no express warranties or representations other than set out in this Warranty.

The repair or replacement of the Product or part of the Product is the absolute limit of Aussie Traveller's liability under this express Warranty.

Contact

Australia Wide: 1300 663 868

Melbourne Office

235 Barry Road
Campbellfield, Melbourne, 3061
Ph: +61 3 9357 6565
enquiries@aussietraveller.com.au

Brisbane Head Office, Factory & Showroom

11-15 Oasis Court
Clontarf, Brisbane, 4019
Ph: +61 7 3284 3284
enquiries@aussietraveller.com.au

To receive a copy of the Aussie Traveller Warranty Terms & Conditions or information regarding specific Aussie Traveller products, please contact Aussie Traveller Head Office on (07) 3284 3284 or email enquiries@aussietraveller.com.au.