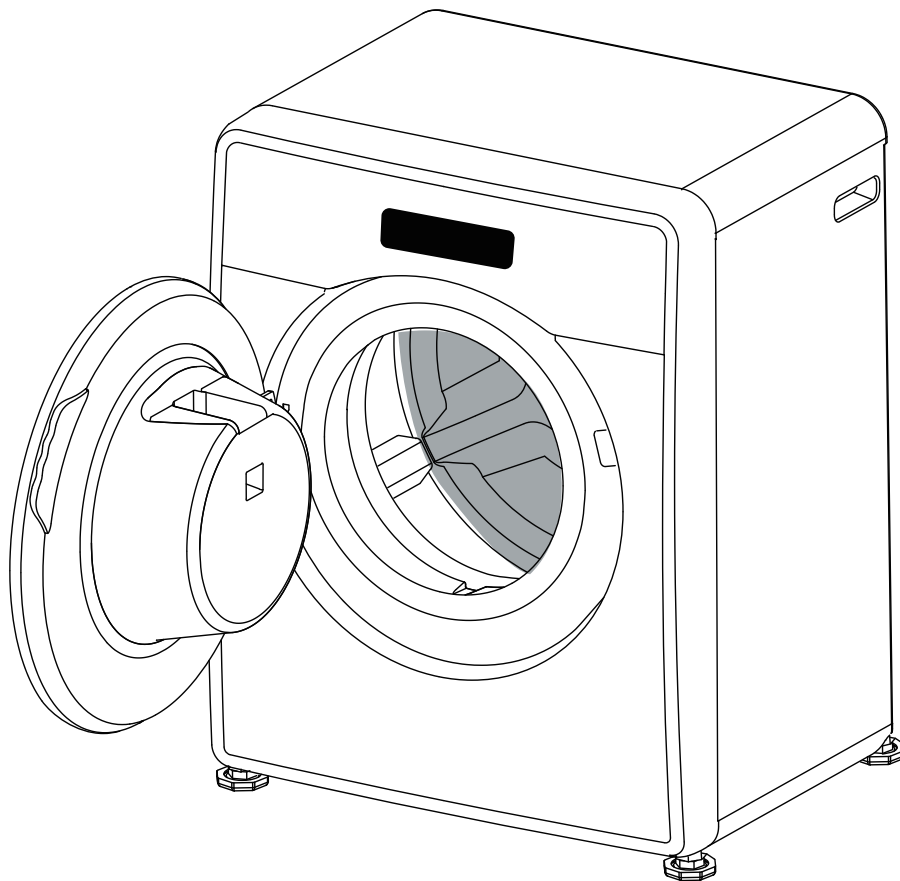




FRONT-LOADER WASHING MACHINE

USER MANUAL



READ CAREFULLY BEFORE USING
RETAIN MANUAL FOR FUTURE REFERENCE

CONTENTS

PRODUCT INTRODUCTION	2
Packing List	2
Parts of the Washing Machine	3
SAFETY PRECAUTIONS	3
INSTALLING THE WASHING MACHINE	5
Removing the Shipping Bolts	5
Adjusting the Levelling Leg	6
Fixing the bottom cover and guide-leg	7
Connecting the Water-In Hose	8
Connecting the hose drain	9
INSTALLATION REQUIREMENTS	10
CONTROL PANEL AND PROGRAM DESCRIPTION	12
USING DETERGENTS AND ADDITIVES	14
MAINTENANCE	15
Cleaning the washer drum	15
Cleaning the water supply valve filter	16
Cleaning the washing enclosure	17
Storing the washing machine	17
TROUBLESHOOTING	18
Problems and solutions	18
Error messages description	19
PRODUCT SPECIFICATIONS	20
WIRING DIAGRAM	21
WARRANTY STATEMENT	22

1300 663 868 | enquiries@aussietraveller.com.au | aussietraveller.com.au

BRISBANE SHOWROOM: 11-15 Oasis Court, Clontarf QLD 4019 | MELBOURNE SHOWROOM: 235 Barry Road, Campbellfield VIC 3061



Read this installation instruction thoroughly.
Incorrect installation or operation may void any warranty.
Incorrect use or operation may cause serious injury.

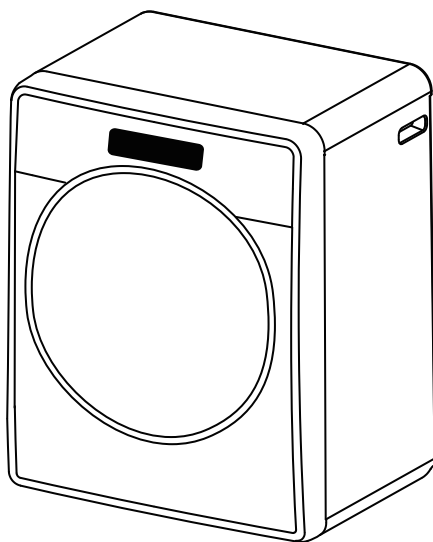
PRODUCT INTRODUCTION

A compact but powerful and convenient washing machine that makes laundry easy, right in the comfort of your caravan. Aussie Traveller can cover your full washing machine requirements with the stylish 3kg front-loader washing machine.

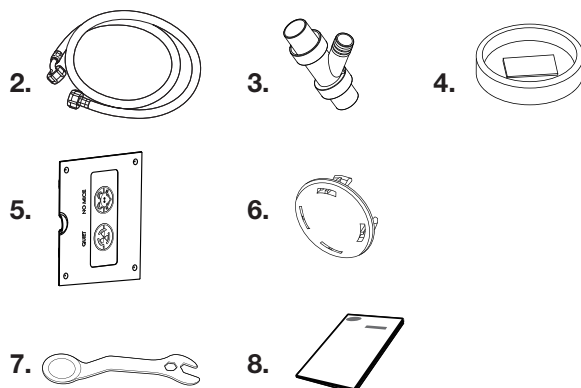
The floor-mounted washing machine features a large 3kg wash load capacity all while being able to fit under a bench.

PACKING LIST:

NUMBER	ITEM DESCRIPTION	QTY
1.	Front-Loader Washing Machine	1
2.	Water-In Hose	1
3.	Drain Link Hose	1
4.	Guide-Leg	4
5.	Bottom Cover	1
6.	Fixer Caps	3
7.	Bolt Spanner	1
8.	User Manual	1



1.

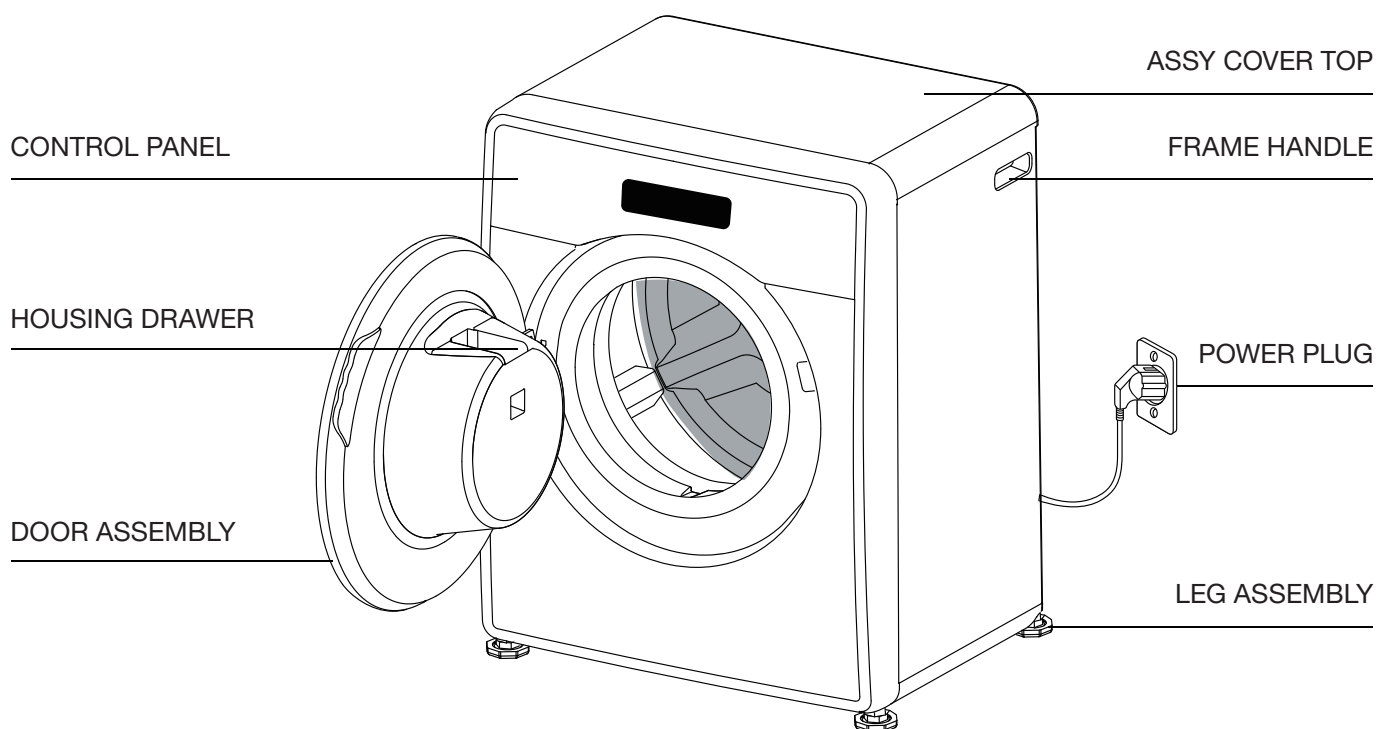


1300 663 868 | enquiries@aussietraveller.com.au | aussietraveller.com.au

BRISBANE SHOWROOM: 11-15 Oasis Court, Clontarf QLD 4019 | MELBOURNE SHOWROOM: 235 Barry Road, Campbellfield VIC 3061

PRODUCT INTRODUCTION (cont.)

PARTS OF THE WASHING MACHINE:






SAFETY PRECAUTIONS

Important Safety Symbols and Precautions. Please read this manual carefully before using this product. Please read the instructions carefully and perform all installations, maintenance and operation of this machine with caution and care.

Proper operation, handling, usage and care for this product will help make the most of the functions of the product and extend the service life of the machine. We are not liable for any damages resulting from improper use.

MEANINGS OF ICONS AND SYMBOLS IN THIS MANUAL:

SYMBOL	DEFINITION
 CAUTION	Hazards or unsafe practices that may result in personal injury or property damage.
 ATTENTION	To reduce the risk of fire, explosion or personal injury when using your washing machine, follow these basic safety precautions.
 WARNING	Hazards or unsafe practices that may result in severe personal injury, death or property damage.

1300 663 868 | enquiries@aussietraveller.com.au | aussietraveller.com.au

BRISBANE SHOWROOM: 11-15 Oasis Court, Clontarf QLD 4019 | MELBOURNE SHOWROOM: 235 Barry Road, Campbellfield VIC 3061

SAFETY PRECAUTIONS (cont.)

RISK OF FIRE:

- Do not wash or soak any clothing stained with gasoline or other flammable, and toxic solvent, for the clothing will release flammable substance that may cause fire or explosion. Wash the clothing manually first, and ensure that all potentially flammable liquid, solid and particle traces are removed before putting it into the washing machine.
Hazardous substances include acetone, alcohol, gasoline, kerosene, certain liquid household cleaners and detergents, turpentine, wax and wax remover.
- Do not use strong acid cleaner in the washer.
- Do not put gasoline, alcohol, dry cleaner or other flammable and explosive substances into the washing machine as detergent.
- Do not overload the wall power socket or the extension cord. Overloading of wall power socket may cause fire and electric shock.
- Never use this product together with other heating equipment at the same time.

RISK ASSOCIATED TO PLACEMENT AND LOCATION OF PRODUCT:

- Keep children (and pets) away from playing in the washing machine; may result in serious injury.
- Install the washing machine on a hard, flat and clean surface away from any water or oil.
- Position the washing machine in a dry and ventilated room; avoid locations such as bathroom or wet room.
- Never stack washing machine on top of other washing machines or appliances.
- Washing Machine must be installed with proper levelling to avoid equipment; use the levelling feet to adjust and make sure the product is properly levelled.
- This appliance is not intended for use by any children, persons with physical, sensory or mental disability and by any persons with inadequate knowledge of operating an appliance such as this washing machine; unless been adequately supervised or guided by a responsible person and understand the potential hazards to ensure that they can use the appliance safely.
- The appliance is not intended to be used in places that are subjected to high levels of vibration that may disrupt or prevent it from operating normally.
- Re-levelling of appliances is recommended if equipment has been subjected to a high vibration condition.
- Do not use washing machine as storage.

RISK ASSOCIATED TO SCALDING:

- The water supply hoses may degrade over time. Periodically check and inspect the washing machine for any potential explosion, kink, breakage, wear or tear that may result in leaks on the hoses. Replace any leaking hose promptly if there are any leaks detected.
- As hot water supply may be used on this machine in one of the washing programs, there may be risk of scalding due to hot water leakage if hoses are worn or torn. Keep children away from the product.

1300 663 868 | enquiries@aussietraveller.com.au | aussietraveller.com.au

BRISBANE SHOWROOM: 11-15 Oasis Court, Clontarf QLD 4019 | MELBOURNE SHOWROOM: 235 Barry Road, Campbellfield VIC 3061

SAFETY PRECAUTIONS (cont.)

RISK OF ELECTROCUTION:

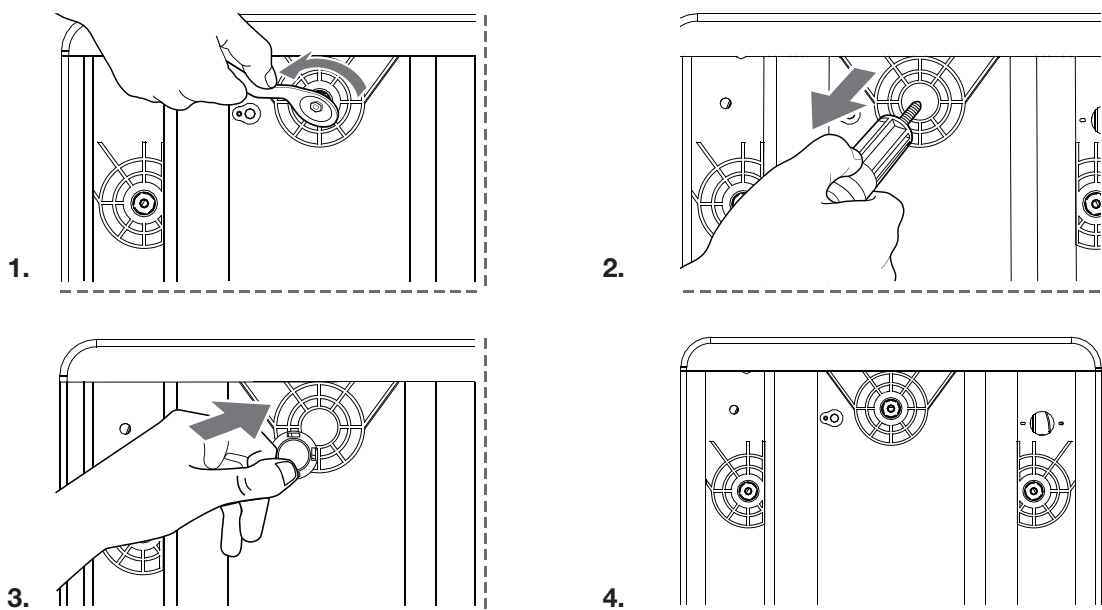
- Please unplug the washing machine before performing maintenance, cleaning or repair. Repairs **MUST** only be carried out by qualified and experienced service personnel. Repairs made by unqualified and inexperienced personnel may lead to further damage to the washing machine and may result in personal injury.
- Always unplug the washing machine and turn off the water supply faucet after use.
- Never bend the power cord by force or place heavy objects on the power cord.
- Never touch the power cord with wet hands.
- Never overload a power outlet by connecting too many electrical appliances on the power outlet.
- Carpet does not obstruct the openings for washing machines with ventilation openings in the base.
- Never install the washing machine close to other electrical appliances; never place a candle or cigarette on the washing machine.
- Never approach the washing machine soaked in water, otherwise an electric shock may occur.
- Please use a dedicated approved Australian wall type AC power outlet of 220V-240V/50Hz and not less than 10A, installed by a licensed electrician.
- The specification of the power plug shall comply with the requirements of electricity load current. Use the 220V-240V A power supply along with reliable grounding.

INSTALLING THE WASHING MACHINE

REMOVING THE SHIPPING BOLTS:

Three shipping bolts on the back of the machine must be dismantled before installing the washing machine.

1. Loosen all bolts with the wrench.
2. Take each bolt head and pull it out from the loose hole.
3. Fill the holes with the supplied plastic covers.
4. Dismantle three shipping bolts in turn and keep them properly.



1300 663 868 | enquiries@aussietraveller.com.au | aussietraveller.com.au

BRISBANE SHOWROOM: 11-15 Oasis Court, Clontarf QLD 4019 | MELBOURNE SHOWROOM: 235 Barry Road, Campbellfield VIC 3061

INSTALLING THE WASHING MACHINE (cont.)

⚠ NOTE: Packing materials can be dangerous to children; keep all packing materials well out of reach of children.

This appliance can be used by children from 8 years and above and persons with reduced physical, sensory or mental capabilities or lack of experience and knowledge if they have been given supervision or instruction concerning use of the appliance in a safe way and understand the hazards involved.

Children shall not play with the appliance.

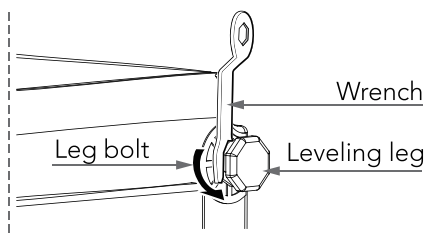
Cleaning and user maintenance must not be carried out by children without supervision.

Children of less than 3 years old should be kept away from the washing machine unless continuously supervised.

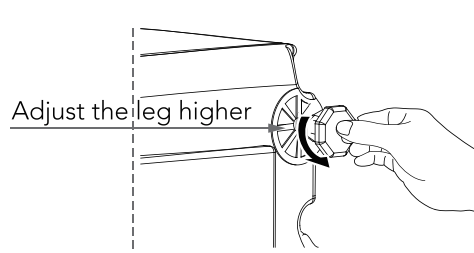
ADJUSTING THE LEVELLING LEG:

- ⚠ If the floor is uneven adjust the levelling leg of the washing machine (do not insert pieces of wood or any other objects under the leg).
- When tightening the leg bolt with the wrench during adjustments, avoid movement of the leg.

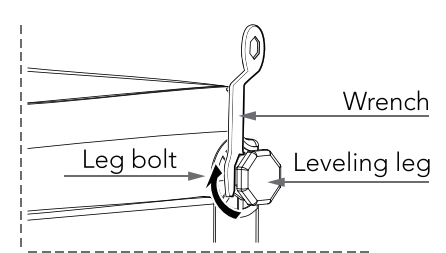
1. Turn left to loosen the leg bolt with the wrench.
2. Adjust the levelling leg until it is at the desired height, turn anti-clockwise to increase height, and turn clockwise to lower.
3. Tighten the feet with a wrench; adjust all four feet.



1.



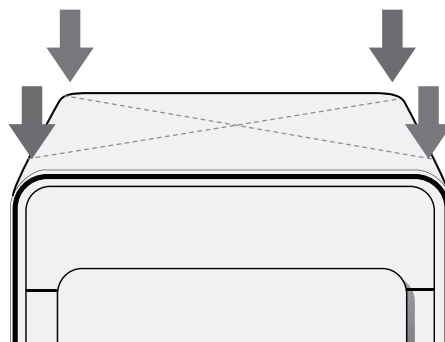
2.



3.

Checking if the levelling leg is level:

Press the top two diagonal corners of the washing machine in a diagonal direction with both hands to test whether the washing machine could shake.



1300 663 868 | enquiries@aussietraveller.com.au | aussietraveller.com.au

BRISBANE SHOWROOM: 11-15 Oasis Court, Clontarf QLD 4019 | MELBOURNE SHOWROOM: 235 Barry Road, Campbellfield VIC 3061

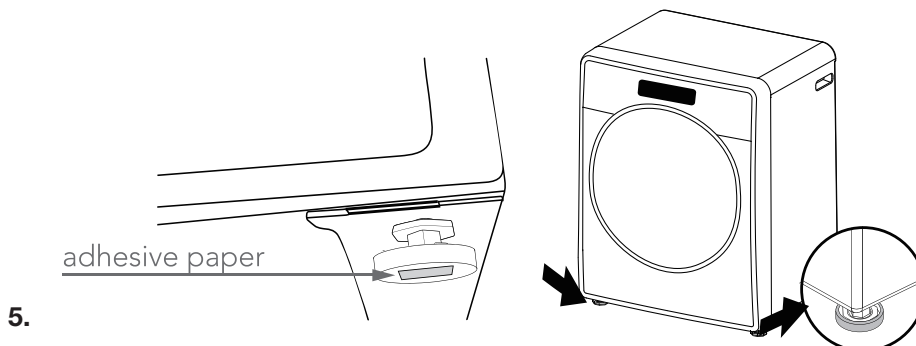
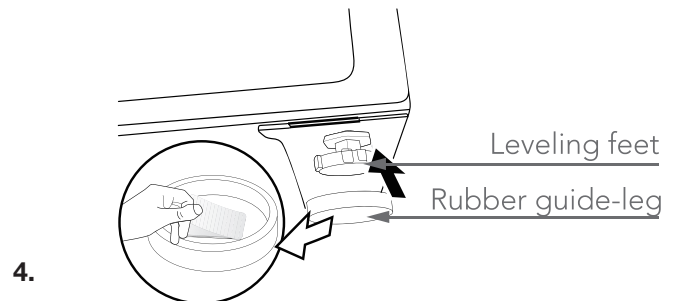
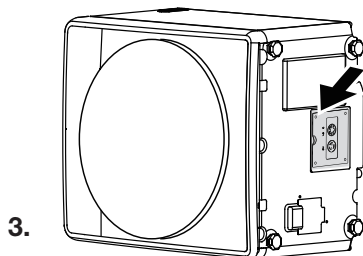
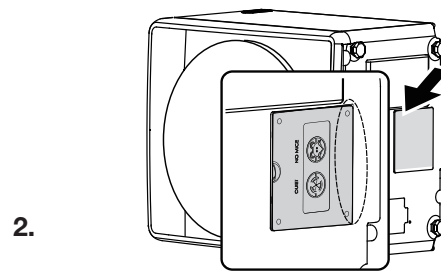
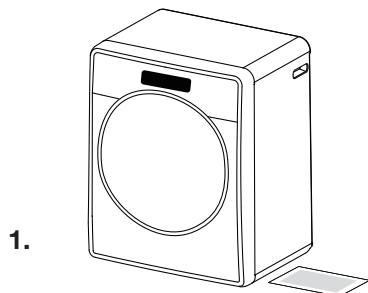
INSTALLING THE WASHING MACHINE (cont.)

FIXING THE BOTTOM COVER AND GUIDE-LEG:

1. Lay the machine body on its side, place the bottom cover on the bottom.
2. Align one side of the cover bottom and insert it into the groove.
3. Clip the four bayonets of the bottom cover into the groove, then press the whole plate into the groove.
4. Tear off the internal adhesive paper of the rubber guide-leg and stick it to the levelling feet on the machine.
5. Tear off the external adhesive paper and slowly put the machine down to make the guide-leg stick to the ground.



- After sticking the adhesive papers tightly, slowly put down the machine body to make all four guide-legs fully stick to the ground.



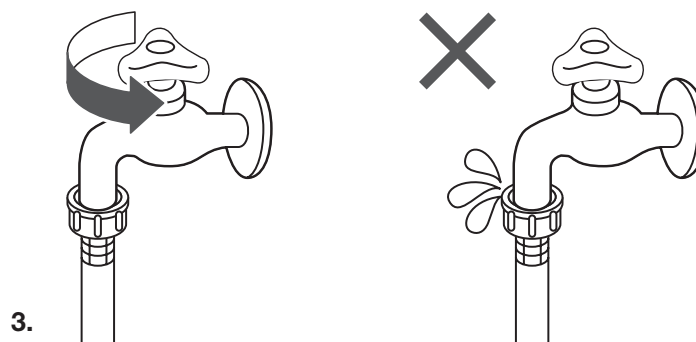
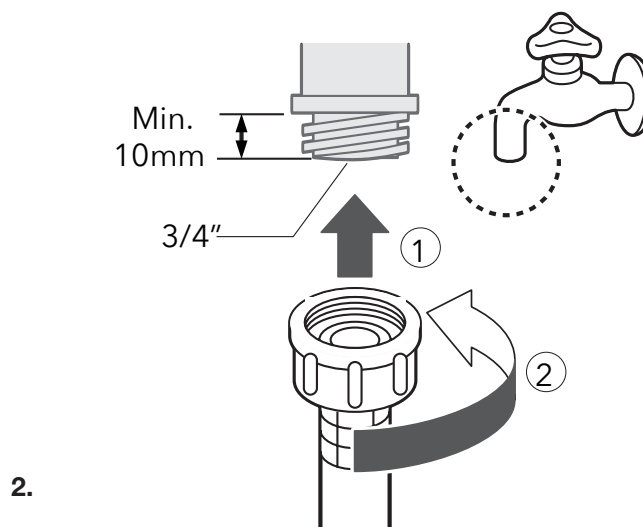
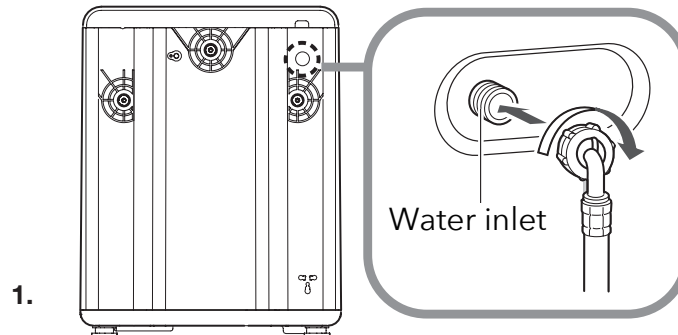
1300 663 868 | enquiries@aussietraveller.com.au | aussietraveller.com.au

BRISBANE SHOWROOM: 11-15 Oasis Court, Clontarf QLD 4019 | MELBOURNE SHOWROOM: 235 Barry Road, Campbellfield VIC 3061

INSTALLING THE WASHING MACHINE (cont.)

CONNECTING THE WATER-IN HOSE:

- Tighten the nut firmly.
- Do not twist, squash, modify or cut the hose.



- The new hose-sets supplied with the appliance are to be used and that old hose-sets should not be reused.
- After installation, turn on the water tap to check for any leakage.
- Unplug the appliance and turn off the water faucet after use.

1300 663 868 | enquiries@aussietraveller.com.au | aussietraveller.com.au

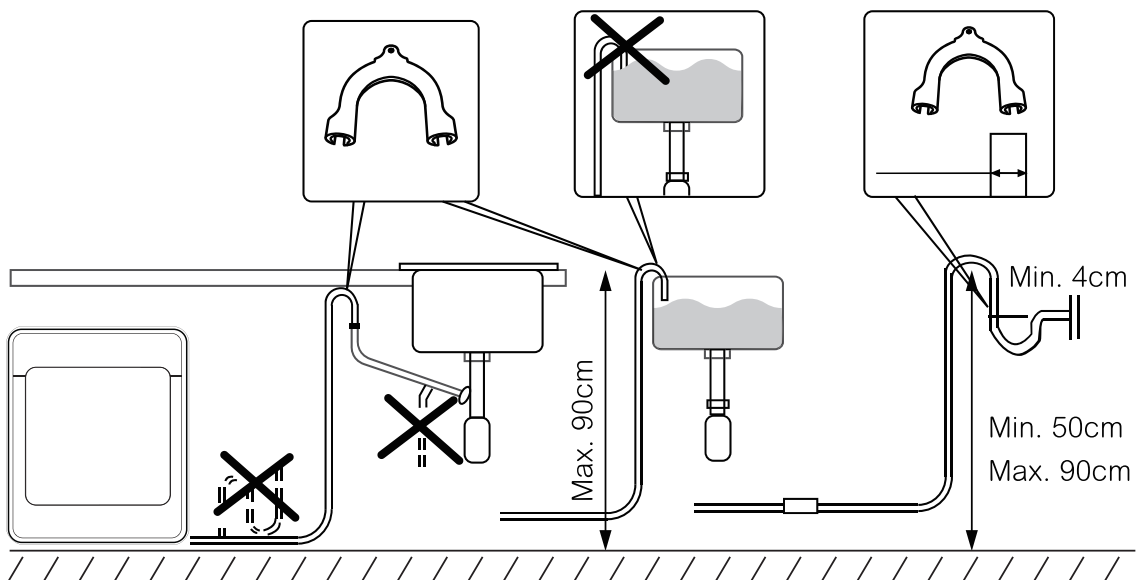
BRISBANE SHOWROOM: 11-15 Oasis Court, Clontarf QLD 4019 | MELBOURNE SHOWROOM: 235 Barry Road, Campbellfield VIC 3061

INSTALLING THE WASHING MACHINE (cont.)

CONNECTING THE HOSE DRAIN:

The end of the hose drain may be positioned in three ways:

1. In a floor drain directly:
We recommend that you should use the hose drain attached to the appliance; it can be directly inserted into the floor drain with the width of the trough entry not less than 4cm.
2. In a sink hose drain branch:
The end of the hose drain is connected to a sink hose drain branch. If the hose is too long it cannot be forced into the washing machine, otherwise abnormal noise may occur. Note: width of the sink entry shouldn't be less than 4cm.
3. Over the edge of a wash basin:
The end of the hose drain must be placed at a height of between 50 and 90cm from the ground. To avoid restricting the water flow due to the bending of the hose drain, secure the hose drain over the edge of the wash basin with a hook to prevent the hose from moving. Note: the end of the hose drain cannot be submerged in water.



1300 663 868 | enquiries@aussietraveller.com.au | aussietraveller.com.au

BRISBANE SHOWROOM: 11-15 Oasis Court, Clontarf QLD 4019 | MELBOURNE SHOWROOM: 235 Barry Road, Campbellfield VIC 3061

INSTALLATION REQUIREMENTS

POWER SUPPLY:

- To avoid the unnecessary risk of fire, electric shock or personal injury, all electrical circuit and grounding must be set as per the relevant AS/NZS standards. It is the owner's responsibility to provide proper maintenance on the electrical appliance.
- Do not overload the wall power socket or the extension cord. Otherwise it may cause fire and electric shock.
- Only the power cord equipped with the washing machine can be used.

- When ready for installation, ensure the power supply complies with the following items:
Fuse or breaker of 220V-240V, 50Hz, 10A.
When the heating function is used, the maximum current of the washing machine may reach 10A. Ensure that your power supply unit (current, voltage and cable) can meet the normal load requirements of the appliance. If you are not sure about the voltage, contact the manufacturer, product and service agent or qualified person.
- To guarantee your safety, use the three-core socket and check to ensure it is grounded accurately and reliably. (The washing machine has been equipped with a three-core socket.)
- The power cord has to be positioned so that it will not be stepped on, pressed or clamped by the article on or next to it. Pay special attention to the power cord of plug, socket and power cord contact of the appliance.

WATER SUPPLY:

- The working water pressure of the washing machine is 0.05MPa~0.8MPa. When the water pressure is below 0.05MPa the water supply valve may not work properly, or the time of water supply is longer than that of program control, and the display screen shows 'SF'.
- The water supply tap must be less than 122cm away from the rear of the washing machine so that the water supply hose can easily be connected to the washing machine and water tap.
- The water connection hose should be connected to the cold water tap only.
- To prevent the risk of water leakage and waterway damage, consider the following:
 - Ensure water tap is at a reasonable position for easy connection.
 - Turn off the water tap when the washing machine is not in use.
 - Check water leakage conditions of the internal loop regularly.

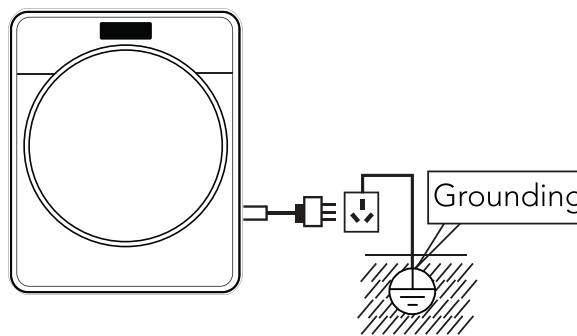
1300 663 868 | enquiries@aussietraveller.com.au | aussietraveller.com.au

BRISBANE SHOWROOM: 11-15 Oasis Court, Clontarf QLD 4019 | MELBOURNE SHOWROOM: 235 Barry Road, Campbellfield VIC 3061

INSTALLATION REQUIREMENTS (cont.)

⚠️ GROUNDING:

- The instructions for appliances incorporating a functional earth, states that the appliance incorporates an earth connection for functional purposes only.
- The washing machine must be grounded. If the washing machine has a fault or cannot run normally, the current can be conducted to the ground, minimising the risk of electric shock.
- The ground wire cannot be connected to the plastic pipe, gas conduit or hot water pipeline. If the ground wire is connected to the improper ground conductor, electric shock may occur.
- If you are not sure whether the washing machine is grounded accurately, check and verification should be performed by the manufacturer, product and service agent or qualified person.
- If the supply cord is damaged it must be replaced by the manufacturer, its service agent or similarly qualified persons in order to avoid a hazard. The plug attached to the washing machine cannot be transformed. If the plug cannot match the socket, a suited one should be installed by the manufacturer, product and service agent or qualified person.



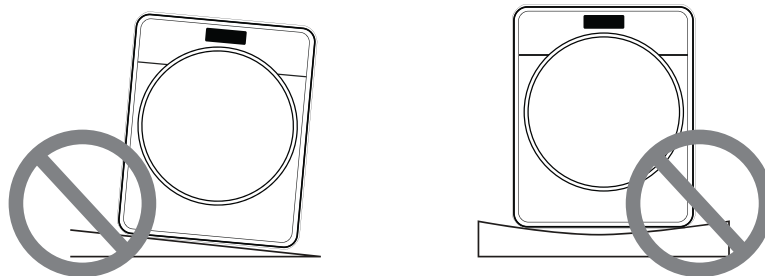
⚠️ INSTALLED LOCATION:

To minimise the vibration or unbalanced load, the wood floor has to be reinforced. The carpet and the soft floor tile surface may cause vibration and slight movement of the washing machine in operation.

Before you install the washing machine, select a location with the following characteristics:

- Do not position the washing machine on a platform or a structure with weak support.
- A hard, level surface (if the surface is uneven, see 'adjusting the leveling leg').
- Avoid direct sunlight, with adequate ventilation. (The washing machine shall not be installed in a bathroom or a wet room.)
- Room temperature shall not fall below 0°C.
- Keep away from heat sources such as coal or gas stoves.

NOTE: Ensure that the washing machine does not stand on its power cord. Ventilation openings must not be obstructed by carpeting when the washing machine is installed on a carpeted floor.



1300 663 868 | enquiries@aussietraveller.com.au | aussietraveller.com.au

BRISBANE SHOWROOM: 11-15 Oasis Court, Clontarf QLD 4019 | MELBOURNE SHOWROOM: 235 Barry Road, Campbellfield VIC 3061

CONTROL PANEL AND PROGRAM DESCRIPTION

CONTROL PANEL:

Control panel and program description to facilitate easy operation of the washing machine



Power button

Turn on/off the washing machine using this button. If the washing machine is unused for 10 minutes after power on, the power supply will be shut off automatically.



Start/Pause

Press this button to start/pause the operation of the machine; to change the washing program, press this button to pause, then press the selected program button to start.



Program

Program button

Press this button to select the program required (Cotton / Quick Wash / Soft / Hi-Temp / Spin / Drum Clean).



Delay button

Press this button repeatedly to cycle through the available preset options (from 3 hours to 19 hours in one hour increments). The washing cycle will complete the displayed hours.



Door Lock

The door lock status indicator, indicates whether the door can be safely opened or not. Door must not be opened when the indicator is solid ON or blinking. Door can be opened when the indicator light is OFF.



Child Lock

This function locks all buttons excluding the power button so that the selected washing program will not be changed due to unintentional operation resulting in the operation failure of the washing program.



Display module

Displays the remaining time required to complete the program. Error code is displayed if the washing machine malfunctions.

1300 663 868 | enquiries@aussietraveller.com.au | aussietraveller.com.au

BRISBANE SHOWROOM: 11-15 Oasis Court, Clontarf QLD 4019 | MELBOURNE SHOWROOM: 235 Barry Road, Campbellfield VIC 3061

CONTROL PANEL AND PROGRAM DESCRIPTION (cont.)

PROGRAMS:



Cotton

Suitable for cotton washing or linen cloth, such as bed sheets, table cloths, underwear, towels, shirts. The default setting washes slightly soiled cotton/linen loads. The energy efficiency test program washes heavy soiled cotton/linen loads.



Quick Wash

Suitable for washing slightly soiled laundry that is worn only once or needs a quick wash.



Soft

Suitable for washing slightly soiled cotton textiles, linen bed sheets, linen table cloths, underwear, towels, shirts etc.



High-Temp

High temperature washing and additional rinse will be carried out to ensure children's clothing or underclothes free of residual washing powder.



Spin

Perform the spin cycle only to spin dry excess water from clothes.



Drum Clean

This program is designed to clean the inner drum of the washing machine to keep it sanitised (no clothing is to be added when this program is in use).



In order to enhance the washing effect, detergent and bleach may be added into the washing drum before adding clothing.

DELAY:

Press the button repeatedly to cycle through the available preset delay options (from 3 hours to 9 hours, in 1 hour increments). The washing cycle will be completed in the displayed hours.

SETTING METHOD OF THE PRESET TIME:

1. Select a washing program according to the type of clothes you are washing.
2. Press the Preset button repeatedly to select the desired preset time.
When the time for your selected washing program is more than 3 hours, the preset time shall be set to more than 3 hours.
Press the button for the first time, displaying '3:00' and the time can be set to '19:00' at most in one hour increments. Continue pressing, the time will increase automatically.
3. Press the Start/Pause button. The clock will begin counting down until it reaches your finish time.

If the preset time is set to 6 hours, the washing program will be completely finished after 6 hours.

1300 663 868 | enquiries@aussietraveller.com.au | aussietraveller.com.au

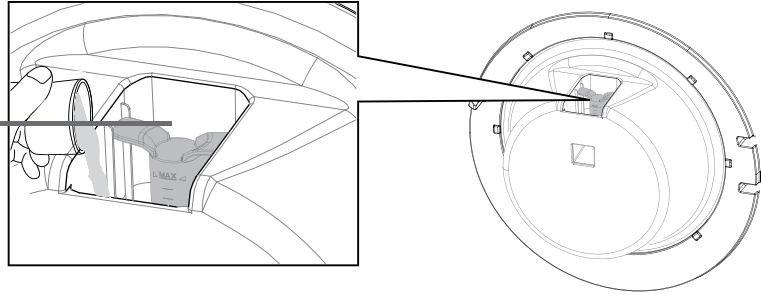
BRISBANE SHOWROOM: 11-15 Oasis Court, Clontarf QLD 4019 | MELBOURNE SHOWROOM: 235 Barry Road, Campbellfield VIC 3061

USING DETERGENTS & ADDITIVES

Please ensure the cap-drawer is placed at the correct position, and it cannot be taken down during wash.

Cap-drawer

Addition level of laundry liquid should not exceed MAX base line marked on the cap-drawer.
Laundry powder should be added to the drum directly.



PRECAUTIONS FOR USING THE DETERGENT:

Determine the amount of laundry liquid

The amount of detergent is based on the water hardness in your area and the detergent manufacturer's recommendations on the package as well as the weight of the laundry, the type of fabric, the degree of soiling etc.

Selecting proper laundry liquid

The type of detergent you should use is based on the type of fabric (cotton, delicate items, chemical fibre and wool), colour, wash temperature, degree and type of soiling. Always use '**low foam**' washing powder, which is designed for front loading washing machines.

- Keep detergents and additives in a safe, dry place out of children's reach.
- Please use appropriate amount of detergent according to the type of fabric and the degree of soiling for the sake of environmental protection.
- Appropriate amount of detergent shall be used according to the weight of the laundry, the degree of soiling and product description.

1300 663 868 | enquiries@aussietraveller.com.au | aussietraveller.com.au

BRISBANE SHOWROOM: 11-15 Oasis Court, Clontarf QLD 4019 | MELBOURNE SHOWROOM: 235 Barry Road, Campbellfield VIC 3061


MAINTENANCE

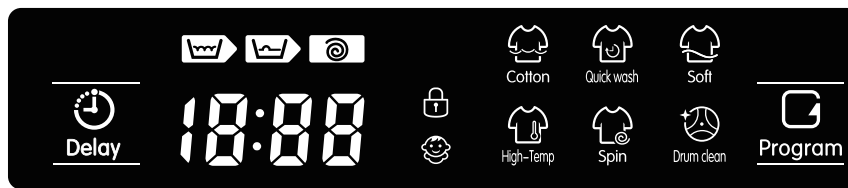
CLEANING THE WASHER DRUM:

The drum auto clean program can remove the possibility of mould that may be present in the drum.

PRECAUTIONS FOR USING DRUM CLEANING FUNCTION:

1. Turn on the water tap.
2. Press the Power button to start the washing machine.
3. Press the Program button to select the Drum Clean program.
4. Press the Start/Pause button to start the Drum Clean program.

 Never add clothing into the drum during the drum cleaning program.



APPLICATION METHOD OF DRUM CLEANING FUNCTION:

- Be sure to use the specialised cleaners to clean the inner drum.
- The drum can be cleaned without cleanser for the Drum Clean program.
- The Drum Clean program cannot be used when there are clothes in the washing machine, or the laundry or machine may be damaged.
- Only one tenth of drum cleanser amount recommended by the manufacturer shall be used for the sake of environmental protection.
- Bleach containing chlorine may fade the laundry; be sure to use oxygen bleach only.
- There are powder and liquid cleansers to clean the drum.
- Powder cleanser: Please use powder bleach or cleanser specialised for the inner drum of the washing machine.
- Liquid cleanser: Please use liquid oxygen bleach or cleanser specialised for the inner drum of the washing machine.
- Never use foam type detergent.

1300 663 868 | enquiries@aussietraveller.com.au | aussietraveller.com.au

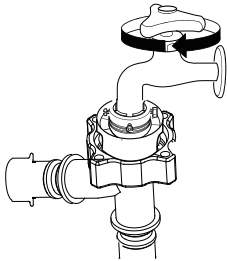
BRISBANE SHOWROOM: 11-15 Oasis Court, Clontarf QLD 4019 | MELBOURNE SHOWROOM: 235 Barry Road, Campbellfield VIC 3061

MAINTENANCE (cont.)

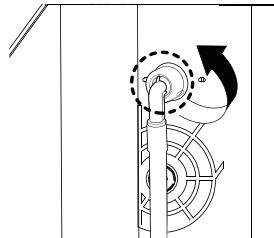
CLEANING THE WATER SUPPLY VALVE FILTER

You should clean the supply valve filter at least 3 to 4 times per year, or when you see 'SF' error message on the display.

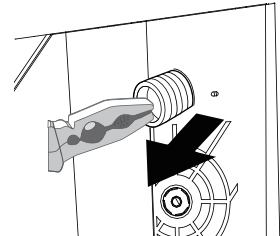
1. Pull out the power plug and turn off the water supply tap of the washing machine.



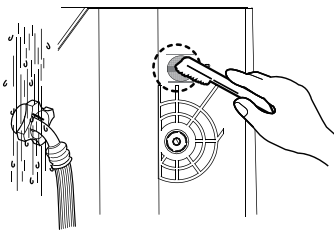
2. Unscrew the water supply hose from the back of the machine.



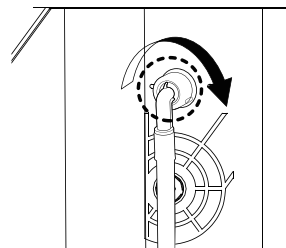
3. With a pair of pliers, gently pull out the water supply valve filter and rinse it under water until clean.



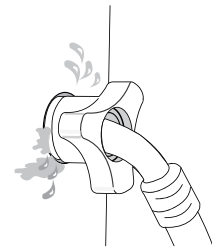
4. Clean the inside and outside of the threaded connector.



5. Push the filter back into the original place. Reconnect the water supply hose.



6. Turn on the tap and make sure the connections are watertight.



- **Rust:** Rusting may occur if water with rust or rusty article, such as hair pin, is put into the drum, or water has remained in the drum for too long. The drum can be cleaned without cleansers on the Drum Clean program.
- **Rust cleaning:** Squeeze out the rust removing paste on a soft cloth or sponge, and then wipe the rusty parts. Never use a steel brush, otherwise the drum will be damaged.
- **Residual detergent:** (Dark colours and stains) After long service of the washing machine, if excessive detergent is added, or cleaning program is repeated with detergent and not dissolved completely, clothing may be contaminated by residual detergent.

1300 663 868 | enquiries@aussietraveller.com.au | aussietraveller.com.au

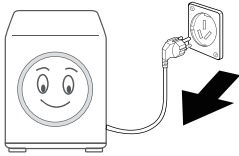
BRISBANE SHOWROOM: 11-15 Oasis Court, Clontarf QLD 4019 | MELBOURNE SHOWROOM: 235 Barry Road, Campbellfield VIC 3061

MAINTENANCE (cont.)

CLEANING THE ENCLOSURE:

Clean the housing of washing machine regularly to keep it clean and sanitised.

1. Unplug the washing machine before cleaning, otherwise electric shock or personal injury may occur.
2. Never spill water on the washing machine, otherwise short circuit or electric shock may occur.
3. Use a damp cloth to clean the washing machine.
4. Never use synthetic detergent, benzene contained detergent or diluents.



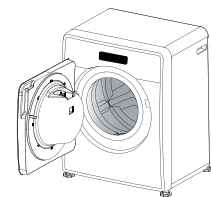
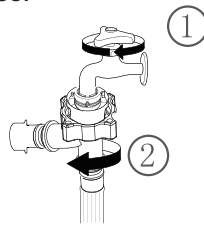
⚠️ PRECAUTIONS FOR CLEANING THE HOUSING OF THE WASHING MACHINE:

- Wipe the washing machine enclosure, including the control panel, with a soft cloth and non-abrasive household detergents.
- Use a soft cloth to dry the enclosure.
- Do not pour water on the enclosure, as non water-resistant parts of the machine may get damage.

STORING THE WASHING MACHINE:

Drain the residual water out of the machine, otherwise the washing machine may be damaged.

1. Select the Spin program to drain the water out with the fastest speed.
2. Turn off the water tap and separate the water supply hose.
3. Unplug the washing machine and open the machine door to allow ventilation.



1300 663 868 | enquiries@aussietraveller.com.au | aussietraveller.com.au

BRISBANE SHOWROOM: 11-15 Oasis Court, Clontarf QLD 4019 | MELBOURNE SHOWROOM: 235 Barry Road, Campbellfield VIC 3061

TROUBLE SHOOTING

PROBLEMS AND SOLUTIONS:

PROBLEM	SOLUTION
Detergent remains in the detergent drawer after the washing machine is complete	<ul style="list-style-type: none">• Check if the water pressure is sufficient when washing.• Check if the washing powder is damp and caking.
Washing machine vibrates or is too noisy	<ul style="list-style-type: none">• Check if the washing machine is set on an uneven surface. If the surface is uneven, adjust the levelling leg to level the appliance.• Check if the shipping bolts are removed.• Check if the washing machine is touching any other objects.• Check if the laundry load is balanced in the inner drum of the washing machine.
The displayed washing time deviates from the actual washing time	<ul style="list-style-type: none">• Time deviation is due to the laundry weight, water supply and balancing time.
The drainage pump has an abnormal noise	<ul style="list-style-type: none">• Check if the drainage pump filter is blocked by laundry flocks and clean the debris.
Foam overflows from the air return hole on the back of the washing machine	<ul style="list-style-type: none">• Too much washing powder, so reduce the amount.• Pour the washing powder into the drum directly.• Use low foam washing powder or liquid detergent dedicated for drum.

PROBLEMS AND SOLUTIONS:

1. Your washing machine is installed with the fuzzy logic control system, which can automatically detect the balance of laundry during spinning. When the laundry is unbalanced or develops eccentricity by the washing machine, the machine will properly extend spin time to adjust the balance of the laundry or run at a lower speed during spin program, to avoid damage to the machine.
2. When there is excessive foam, the time on the display will stop while the machine eliminates the foam. The machine will automatically return to normal program when finished.
3. Before contacting the National Customer Service Team:
 - Try to solve the problem (see Troubleshooting).
 - Restart the program to see if the fault still exists.
 - If the fault persists, call after-sales service and describe the problem.

1300 663 868 | enquiries@aussietraveller.com.au | aussietraveller.com.au

BRISBANE SHOWROOM: 11-15 Oasis Court, Clontarf QLD 4019 | MELBOURNE SHOWROOM: 235 Barry Road, Campbellfield VIC 3061

ERROR MESSAGE DESCRIPTIONS:

ERROR CODE	CODE DESCRIPTION	SOLUTION
dF	Abnormal door lock	<ul style="list-style-type: none"> Check if the door is opened and make sure the door is closed firmly. Check if the wiring harness of the computer board was accidentally disconnected. Check if the plug wire of door switch is loose or has a poor contact.
SF	Abnormal water supply	<ul style="list-style-type: none"> Check if the water tap is turned on. Clean the water supply valve filter. Check the water pressure. Check if the drain valve is clogged.
_F	Abnormal draining	<ul style="list-style-type: none"> Clean the drain valve. Check if the drain hose is properly installed. Check if the hose drain is blocked.
LF	Extremely low water level with standard watering times	<ul style="list-style-type: none"> Check if the drain valve is clogged. Check if the water pressure is normal. Check if there is water leakage.
UF	Imbalance alarm	<ul style="list-style-type: none"> Excessive eccentricity or winding of clothing. Put clothing back in again after tidying up. Increase the quantity of clothing to be washed. Check if the washing machine feet are level.
CF	Abnormal communication between PCB and frequency conversion board	<ul style="list-style-type: none"> Turn the power off on the machine to check if the wire connecting the motor and the electric reactor falls off. Check if the patch cord of the motor and cables was accidentally disconnected. Check if the PCB wirings fall off.
HO	Overtop water temperature for above 5 seconds	<ul style="list-style-type: none"> At this time, keep objects off the washing machine and restart it. Unplug the power cord, and replug it after cooling down.
EF	Temperature sensor abnormality	<ul style="list-style-type: none"> Check if the temperature sensor wire is in poor contact. Test the resistance of temperature sensor in cold state with the multi-meter and check if it is above 1.5MΩ Check if the wire and plug-in between the temperature sensor and the PCB are in poor contact.
~F	Too high water level	<ul style="list-style-type: none"> Disentangle flexible pipes of the pressure switch, then test-run the machine. Check if there is something wrong with the drainage pump. Check if the hose of pressure switch is clogged.
HU LU	Abnormal voltage	<ul style="list-style-type: none"> Power supply voltage is unstable. Program will run automatically after the voltage becomes stable. Purchase a device which can provide stabilised voltage.
3H 3C	Abnormal speed caused by overload and clothing winding	<ul style="list-style-type: none"> Operate the Spin only program to drain water, then turn off the power to unlock the door. It is recommended to reduce the capacity of clothes appropriately. Reselect the program you want to wash.

1300 663 868 | enquiries@aussietraveller.com.au | aussietraveller.com.au

BRISBANE SHOWROOM: 11-15 Oasis Court, Clontarf QLD 4019 | MELBOURNE SHOWROOM: 235 Barry Road, Campbellfield VIC 3061

PRODUCT SPECIFICATIONS

FRONT-LOADER WASHING MACHINE	
TYPE	Full automatic washing machine
RATED VOLTAGE & FREQUENCY	220V - 240V / 50Hz
WASH MODE	Drum-type
SPIN MODE	Centrifugal type
RATED WASH & SPIN CAPACITY	WASH - 3kg
	SPIN - 3kg
RATED CONSUMED POWER	1300W
TAP WATER PRESSURE (MPa)	0.05MPa - 0.8MPa
EXTERNAL DIMENSIONS (mm)	500 x 415 x 630mm
NET WEIGHT (kg)	34kg
ROTATION RATE OF WASH	50RPM
ROTATION RATE OF SPIN	700RPM

Enter into the energy efficiency test program: Press the Program button for at least 5 seconds to enter into cotton program. The Child Lock function is automatically activated when the program starts.

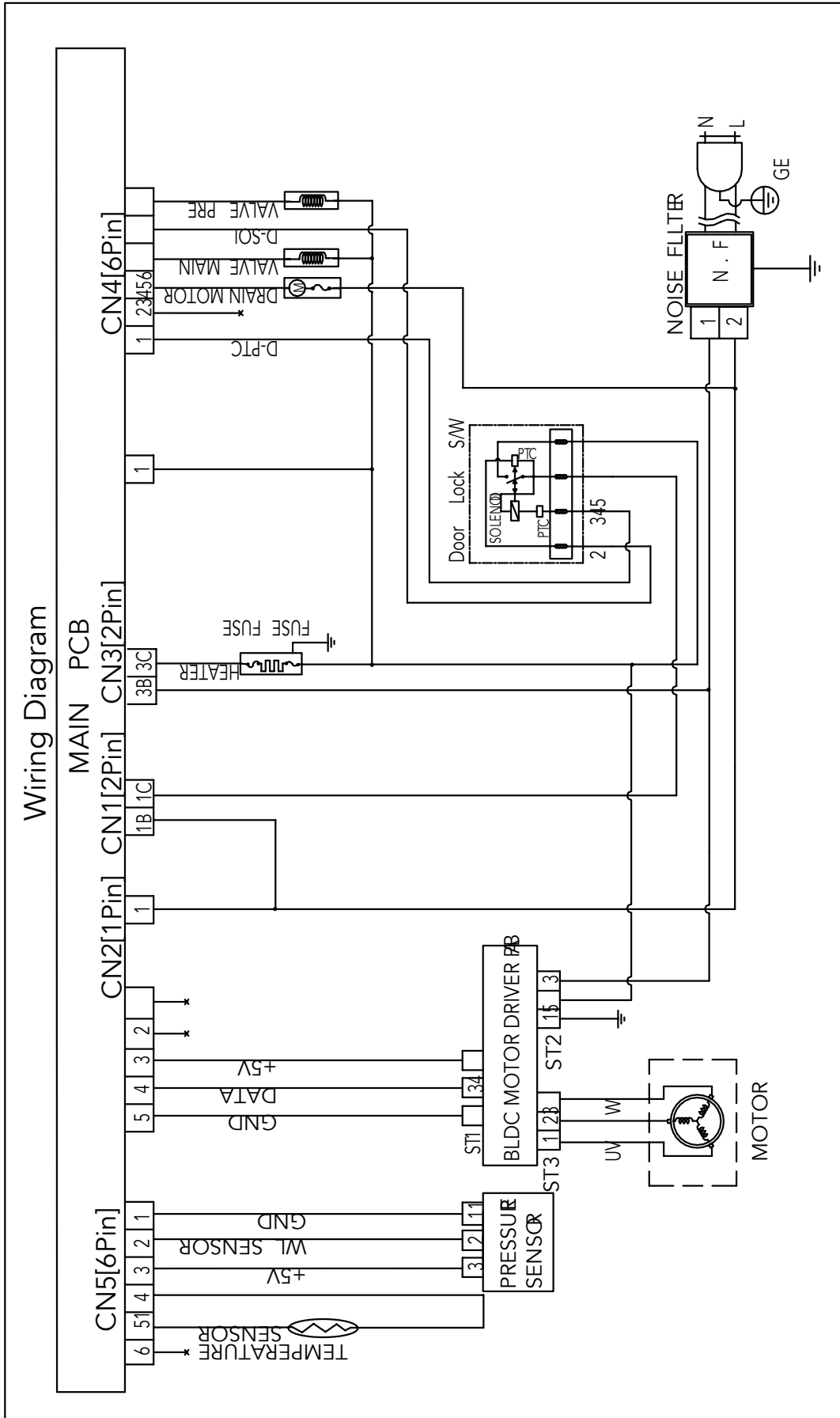
This appliance is intended to be used in household and similar applications such as:

- Recreational Vehicles i.e. Caravans and Motorhomes.
- Staff kitchen areas in shops, offices and other working environments.
- Farm houses.
- By clients in hotels, motels and other residential type environments.
- Bed and breakfast type environments.
- Areas for communal use in blocks of flats or in laundrettes.

1300 663 868 | enquiries@aussietraveller.com.au | aussietraveller.com.au

BRISBANE SHOWROOM: 11-15 Oasis Court, Clontarf QLD 4019 | MELBOURNE SHOWROOM: 235 Barry Road, Campbellfield VIC 3061

WIRING DIAGRAM



1300 663 868 | enquiries@aussietraveller.com.au | aussietraveller.com.au

BRISBANE SHOWROOM: 11-15 Oasis Court, Clontarf QLD 4019 | MELBOURNE SHOWROOM: 235 Barry Road, Campbellfield VIC 3061

WARRANTY STATEMENT

Aussie Traveller Pty Ltd ACN 642 775 460 (**Aussie Traveller**) offers the following warranty in relation to the products it supplies directly or through an authorised manufacturer, dealer or approved service repair agent (**Product**).

Australian Consumer Law

The benefits of this warranty are in addition to any rights and remedies imposed by Australian State and Federal legislation that cannot be excluded. Nothing in this warranty is to be interpreted as excluding, restricting or modifying any State or Federal legislation applicable to the supply of goods and services which cannot be excluded, restricted or modified.

If you are a consumer as defined in the Australian Consumer Law: *Our goods come with guarantees that cannot be excluded under the Australian Consumer Law. You are entitled to a replacement or refund for a major failure and compensation for any other reasonably foreseeable loss or damage. You are also entitled to have the goods repaired or replaced if the goods fail to be of acceptable quality and the failure does not amount to a major failure.*

Warranty

Aussie Traveller warrants that, subject to the exclusions and limitations below, all parts of the manufacture and assembly of the Product will be free from defects in materials and workmanship (**Warranty**) for a period of 12 months from the date of purchase as follows:

1. This Warranty is activated at the time of purchase by the final retail customer (being the owner of the Product).
2. In the event the Product is purchased by a manufacturer, dealer or approved service repair agent, this Warranty will commence at the time the final retail customer makes payment for the Product to the wholesale purchaser.
3. If the Product is purchased directly from Aussie Traveller for use by final retail customer and not to be on sold in any way, the Warranty will commence at the time of the original purchase.

Warranty Period

This Warranty cannot be assigned or transferred to a subsequent owner of the Product.

The purchaser or final retail customer should inspect the Product immediately when received or at vehicle handover, to ensure that it appears free from any damage or defect, and matches the description provided.

If after accepting the Product, a defect appears in the manufacture or assembly of the Product before the end of the Warranty Period and Aussie Traveller finds the Product to be defective in materials or workmanship, Aussie Traveller will, in its sole discretion, either:

- a. replace, repair or refund the Product or the defective part of the Product free of charge; or
- b. cause the Product or the defective part of the Product to be replaced or repaired by a qualified repairer free of charge.

In arranging Warranty inspection, service and repair, Aussie Traveller will seek to provide the details of an approved service agent within your geographic area. Should one not be available, or if the Product is in use in travel, Aussie Traveller reserves the right to seek to arrange a repair or replacement at the next available location on the route of travel.

Aussie Traveller reserves the right to replace defective parts of the Product with parts and components of similar quality, grade and composition where an identical part or component is not available.

Products presented for repair may be replaced by refurbished goods of the same type rather than being repaired. Refurbished parts may be used to repair the Product.

Aussie Traveller Awning Products

This Warranty covers specified defects in materials or workmanship for Awning Products as follows:

1. The vinyl fabric is warranted against:
 - a. holes caused by mildew (mildew will form on dust and dirt and stain fabric if fabric is not kept clean).
 - b. excessive cracking, peeling, hardening or loss of strength while used under normal conditions.
 - c. excessive fading (a slight colour change may occur due to ultraviolet rays).
2. All hardware components including the roller are warranted not to bend or break under normal use (excluding high winds, water pooling and accidents).

Making a Warranty Claim

If a defect covered by this Warranty appears, the Customer must first contact Aussie Traveller within 7 days of first becoming aware of the defect. Aussie Traveller will assist the Customer to rectify and resolve any Product issue that may arise.

When making a claim under this Warranty, Aussie Traveller requires that the following information be provided before any further action will be taken.

1. Original Invoice (Document or Number);
2. Make and model of the Product;
3. Make and model of the vehicle (if Product fitted);
4. Vehicle build date (if Product fitted);
5. Vehicle chassis number;
6. Description of damage and/or repair required;
7. Photos of the damage and/or repair; and
8. Appropriate documentation (such as historical and maintenance records).

Aussie Traveller reserves the right to request more information or images should what is provided not be sufficient to make an assessment for the Warranty claim.

The Product must be made available to Aussie Traveller or its authorised repair agent for inspection and testing. If such inspection and testing find no defect in the Product, the final retail customer must pay Aussie Traveller's usual costs of service work and testing.

The final retail customer must bear the cost of the transport of the Product to and from Aussie Traveller or the authorised repair agent, and all insurance of the Product.

Exclusions

This Warranty will not apply where:

- the Product has been repaired, altered or modified by someone other than Aussie Traveller, or without the written consent of Aussie Traveller or an authorised repair agent;
- the alleged defect in the Product is within acceptable industry tolerances and variances;
- Aussie Traveller cannot establish any fault in the Product after testing and inspection;
- the Product has been used other than for the purpose for which it was designed;
- the alleged defect in the Product has arisen due to the final retail customer's failure to properly use and maintain the Product in accordance with any of Aussie Traveller's instructions, recommendations and specifications (including applicable maintenance schedules);
- the alleged defect in the Product has arisen due to the final retail customer's request to customise the Product;
- the Product has been subject to abnormal conditions, including environment, temperature, high or excessive wind, water, fire, humidity, pressure, stress or similar;
- the alleged defect has arisen due to abuse, misuse, neglect or accident;
- unauthorised parts or accessories have been used on or in relation to the Product;
- the Product has been overloaded or involved in an accident;
- the alleged damage or defect has been caused by normal wear and tear;
- the alleged damage to fabric has been caused by storm, wind or rain, or stretching of fabric caused by water pooling on fabric;
- breakage or bending of hardware components has been caused by storm, wind or rain, or water pooling on fabric.

Replacement Warranty Item

If, under Warranty, a Product is replaced or repaired by Aussie Traveller or an Aussie Traveller agent, unless provided in writing to indicate otherwise, the replacement Product will carry the **remaining** Warranty terms and conditions, including length of time, of the original purchased Product.

Change of Mind

Aussie Traveller understands that at times, final retail customers may change their mind. Choose carefully as return and credit requests for items purchased by mistake or "change of mind" reasons may not be approved. Aussie Traveller will not accept Product returns under these circumstances unless by written approval by an authorized Aussie Traveller representative. If approved, an administration and restocking fee may apply.

Limitations

Aussie Traveller makes no express warranties or representations other than set out in this Warranty.

The repair or replacement of the Product or part of the Product is the absolute limit of Aussie Traveller's liability under this express Warranty.

Contact

Australia Wide: 1300 663 868

Melbourne Office

235 Barry Road
Campbellfield, Melbourne, 3061
Ph: +61 3 9357 6565
enquiries@aussietraveller.com.au

Brisbane Head Office, Factory & Showroom

11-15 Oasis Court
Clontarf, Brisbane, 4019
Ph: +61 7 3284 3284
enquiries@aussietraveller.com.au

To receive a copy of the Aussie Traveller Warranty Terms & Conditions or information regarding specific Aussie Traveller products, please contact Aussie Traveller Head Office on (07) 3284 3284 or email enquiries@aussietraveller.com.au.

1300 663 868 | enquiries@aussietraveller.com.au | aussietraveller.com.au

BRISBANE SHOWROOM: 11-15 Oasis Court, Clontarf QLD 4019 | MELBOURNE SHOWROOM: 235 Barry Road, Campbellfield VIC 3061