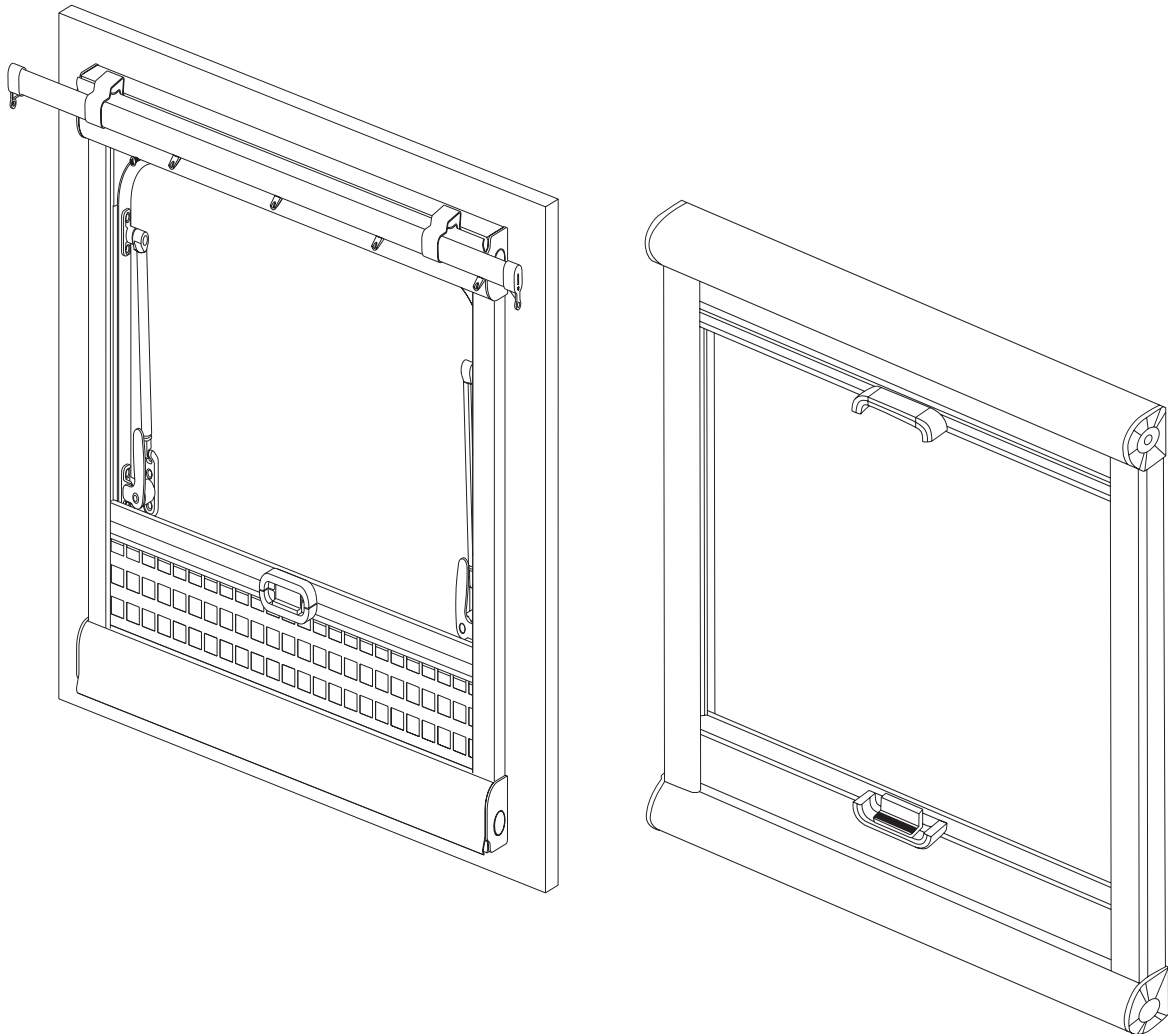




EUROVISION / EUROVISION 2 WINDOW & BLIND

INSTALLATION MANUAL



READ CAREFULLY BEFORE USING
RETAIN MANUAL FOR FUTURE REFERENCE



Read this installation instruction thoroughly.
 Incorrect installation or operation may void any warranty.
 Incorrect use or operation may cause serious injury.

PRODUCT INTRODUCTION

Our EuroVision Windows range offers ultimate privacy, security and ventilation for all types of Caravan and RV's.

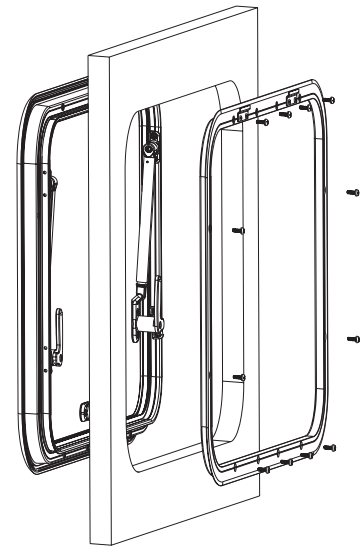
This high quality, European style window is designed with a internal clamp ring providing a simple and secure fixing method. Finished off with UV resistant double-glazed acrylic, internal blind and insect screen, the EuroVision windows are perfect for all conditions on the road.

Built using the same premium high-quality materials as our popular standard EuroVision Window range, the upgraded EuroVision 2 features a sleek and modern design with a flat outer profile and a darker tint.

Ask Aussie Traveller about the full range of EuroVision windows available.

PACKING LIST:

- 1 × Outer Panel Assy
- 1 × Inner Frame
- 1 × Fitting Accessories (refer to table):
 - 1 × Bag M4x14 Set Screw (including 2pcs spare)
 - 1 × Bag M4x20 Set Screw (including 2pcs spare)
 - 1 × Bag ST4.2x32 Screw (including 2pcs spare)
- 1 × Installation Manual with Packing List
- 1 × Operation Manual



FITTING ACCESSORIES:

EV MODEL/SIZE	M4X14 QUANTITY	M4X20 QUANTITY	ST4.2X32 QUANTITY
EV-300-500	13	13	6
EV-450-500	15	15	6
EV-450-610	15	15	6
EV-450-900	19	19	6
EV-450-1100	19	19	6
EV-500-900	19	19	6
EV-500-1200	19	19	6
EV-550-700	15	15	6
EV-550-900	19	19	6
EV-550-1100	19	19	6
EV-550-1450	23	23	6
EV-800-1000	23	23	6
EV-800-1200	23	23	6

Either use M4x14 or M4x20, subject to wall thickness as per Diagram 7.

1300 663 868 | enquiries@aussietraveller.com.au | aussietraveller.com.au

BRISBANE SHOWROOM: 11-15 Oasis Court, Clontarf QLD 4019 | MELBOURNE SHOWROOM: 235 Barry Road, Campbellfield VIC 3061

INSTALLATION

INSTALLATION OF THE EUROVISION & EUROVISION 2 WINDOW:

It is recommended that the installation instructions are followed. Depending on the vehicle type, the installation requirements may vary.

1. Cut hole as Diagrams 1 & 2.
2. Fix outer panel and inner frame to wall as per Diagram 3, using set screws supplied.
NOTE: Do not over tighten screws.
3. Position blind panel over the hook as per Diagram 4, then slide down to locate into position.
4. Open top and bottom blind panel cover by lifting up/pulling down at corners, fix the blind panel to wall with ST4.2x32 screw as per Diagrams 5 & 6. Finally close the cover by hand.

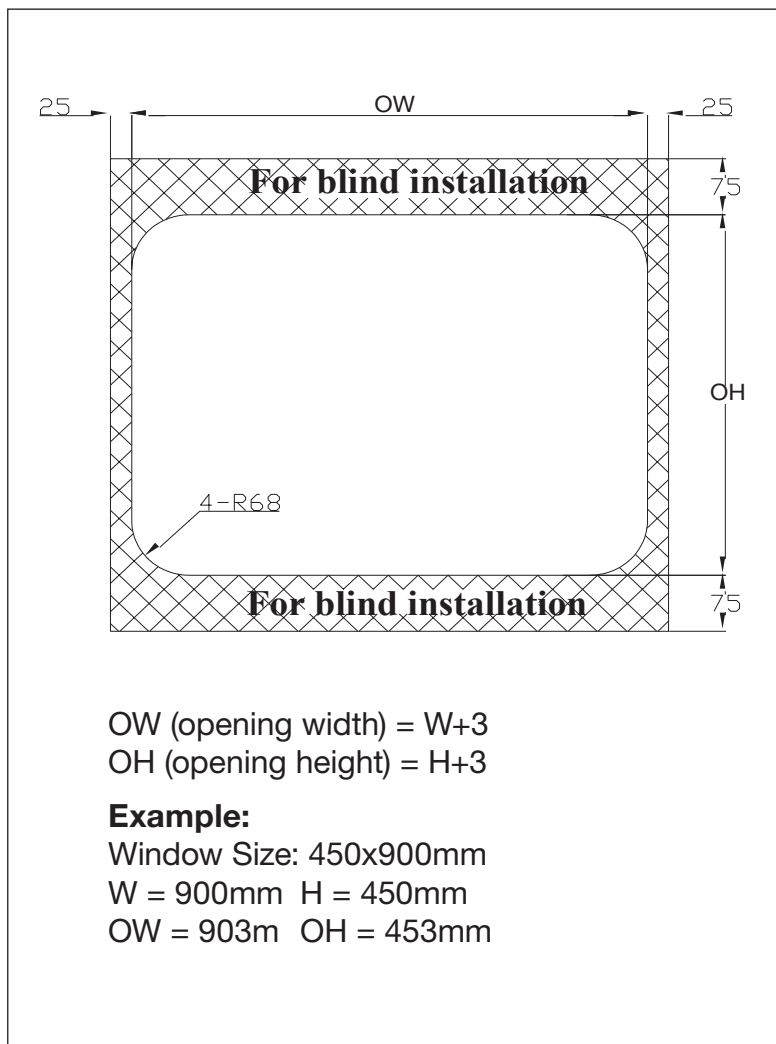


Diagram 1.

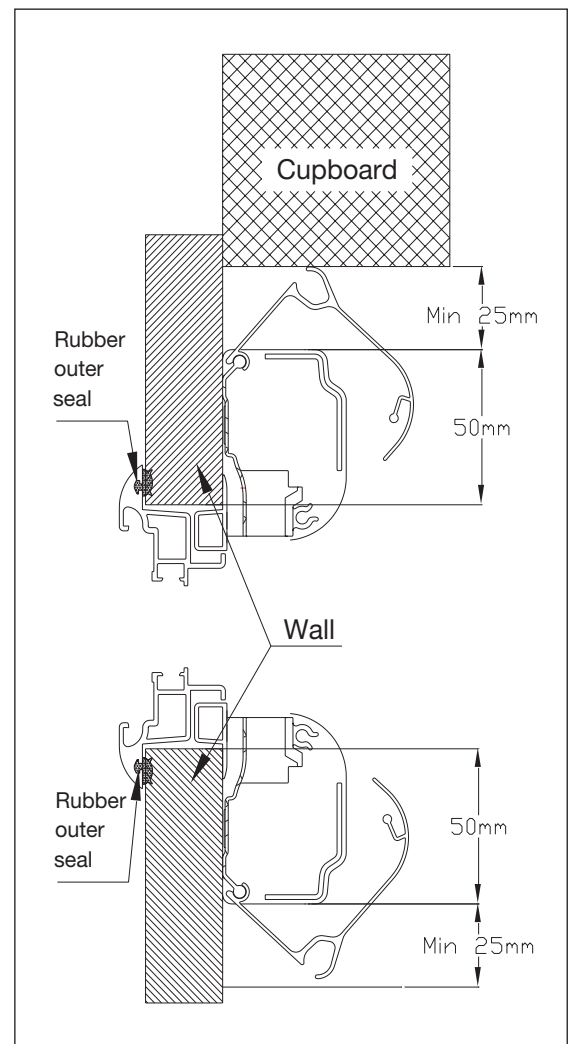


Diagram 2.

1300 663 868 | enquiries@aussietraveller.com.au | aussietraveller.com.au

BRISBANE SHOWROOM: 11-15 Oasis Court, Clontarf QLD 4019 | MELBOURNE SHOWROOM: 235 Barry Road, Campbellfield VIC 3061

INSTALLATION (cont.)

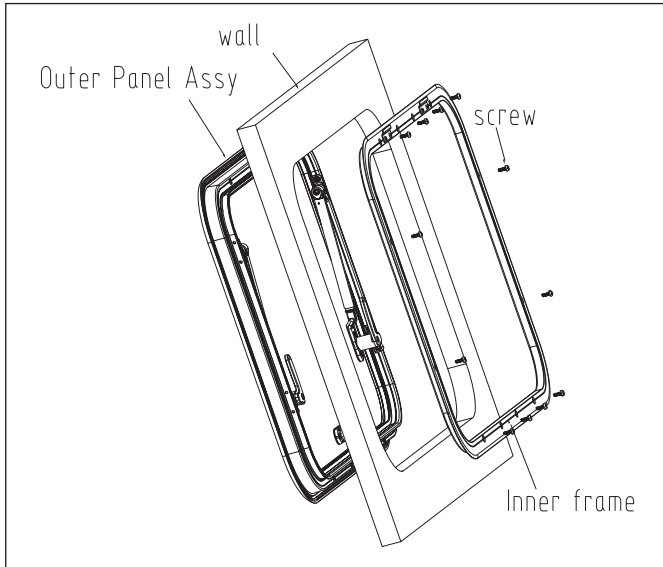


Diagram 3.

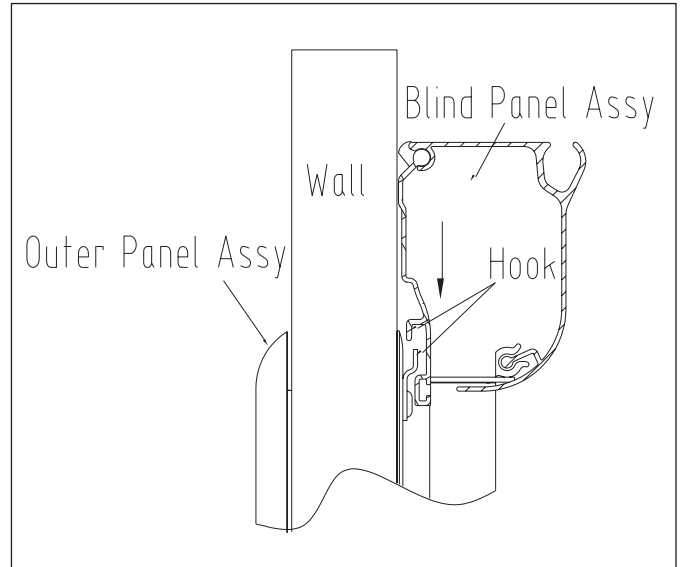


Diagram 4.

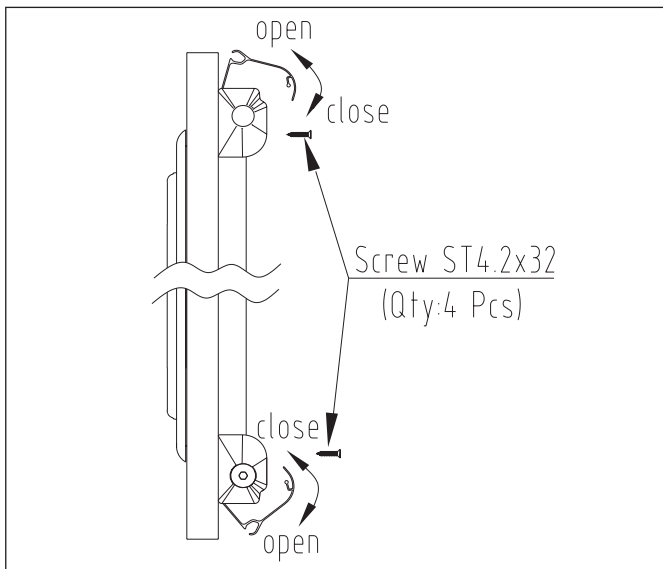


Diagram 5.

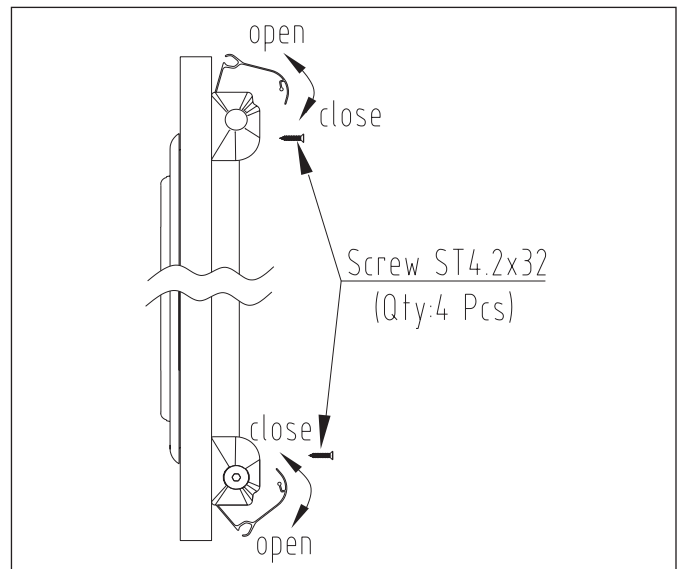


Diagram 6.

WALL THICKNESS (mm)	SCREW SPECIFICATIONS	INSTALLATION SECTIONS	SECTIONS
24-30mm	M4x14		
30-34mm	M4x20		
34-39mm	M4x14		
39-44mm	M4x20		
44-49mm	M4x14		
49-55mm	M4x20		

Diagram 7.

1300 663 868 | enquiries@aussietraveller.com.au | aussietraveller.com.au

BRISBANE SHOWROOM: 11-15 Oasis Court, Clontarf QLD 4019 | MELBOURNE SHOWROOM: 235 Barry Road, Campbellfield VIC 3061

OPTIONAL ACCESSORY: CURTAIN TRACK ASSEMBLY KIT

As an optional accessory, you can easily add a customised curtain to any window. The curtain track length us $W+200\text{mm}$. Kit comes with all fittings required to add curtains.

TIPS FOR FITTING:

- Use a magnetic tip screwdriver to hold screws when joining inner and outer frames.

SPECIAL NOTE:

1. The window supplied is suitable for a flat wall. For caravans/motorhomes etc. finished with profiled wall cladding, use a closed cell foam tape or suitable sealant to provide a waterproof fit. If using sealant remove the rubber outer seal provided before fitting.
2. Normal inner frame is suitable for 24-34mm wall thickness. For the wall thickness less than 24mm or more than 34mm, it is necessary to specify wall thickness when placing the order.

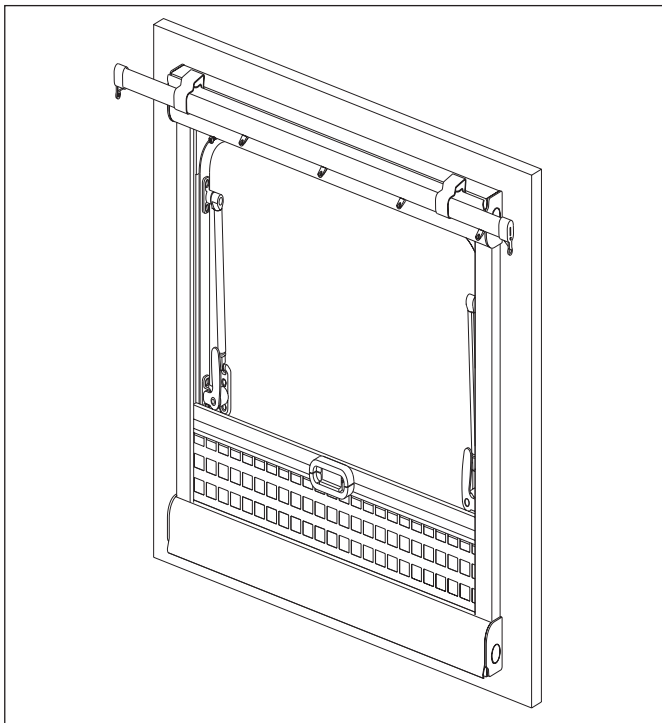


Diagram 8.

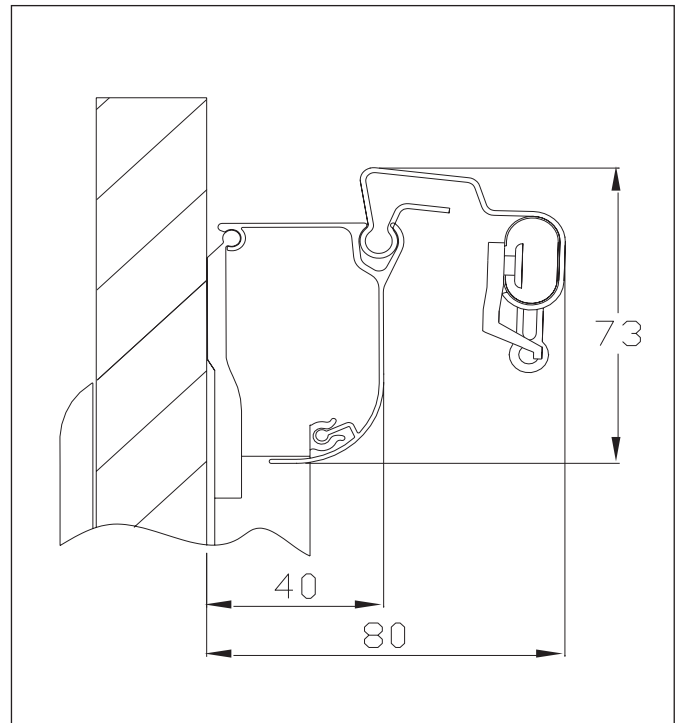


Diagram 9.

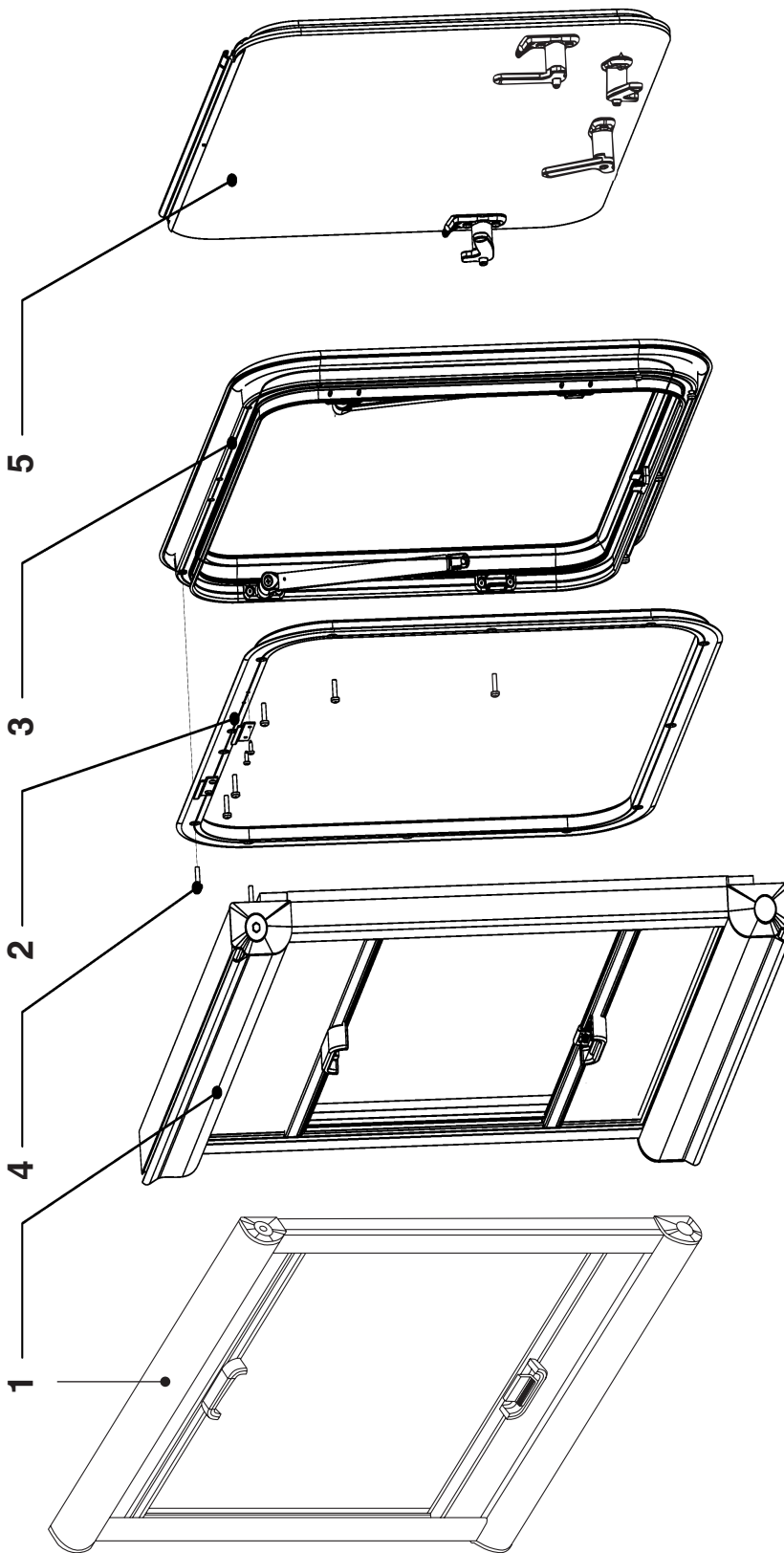
i Curtain track is unavailable for EuroVision 2 with Slimline Blinds.

1300 663 868 | enquiries@aussietraveller.com.au | aussietraveller.com.au

BRISBANE SHOWROOM: 11-15 Oasis Court, Clontarf QLD 4019 | MELBOURNE SHOWROOM: 235 Barry Road, Campbellfield VIC 3061

TECHNICAL DRAWING - EXPLODED DRAWING

EUROVISION / EUROVISION 2 STANDARD & EUROVISION 2 SLIMLINE



1. Aluminium roller blind with flyscreen - standard & slimline styles depicted
2. Internal clamp ring - installation of window and blind
3. Window frameset incorporating window opening/closing struts and handle clamps
4. Installation kit screws
5. Ece approved double glazed acrylic panel with window closing handles

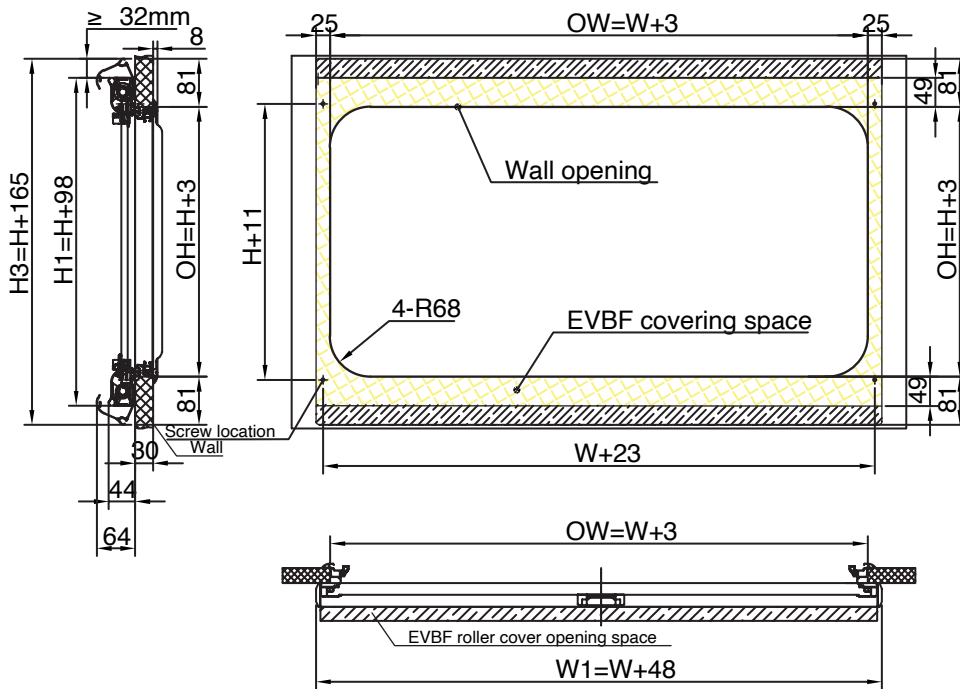
1300 663 868 | enquiries@aussietraveller.com.au | aussietraveller.com.au

BRISBANE SHOWROOM: 11-15 Oasis Court, Clontarf QLD 4019 | MELBOURNE SHOWROOM: 235 Barry Road, Campbellfield VIC 3061

TECHNICAL DRAWING - COMPARISON

EUROVISION 2 STANDARD & SLIMLINE COMPARISON

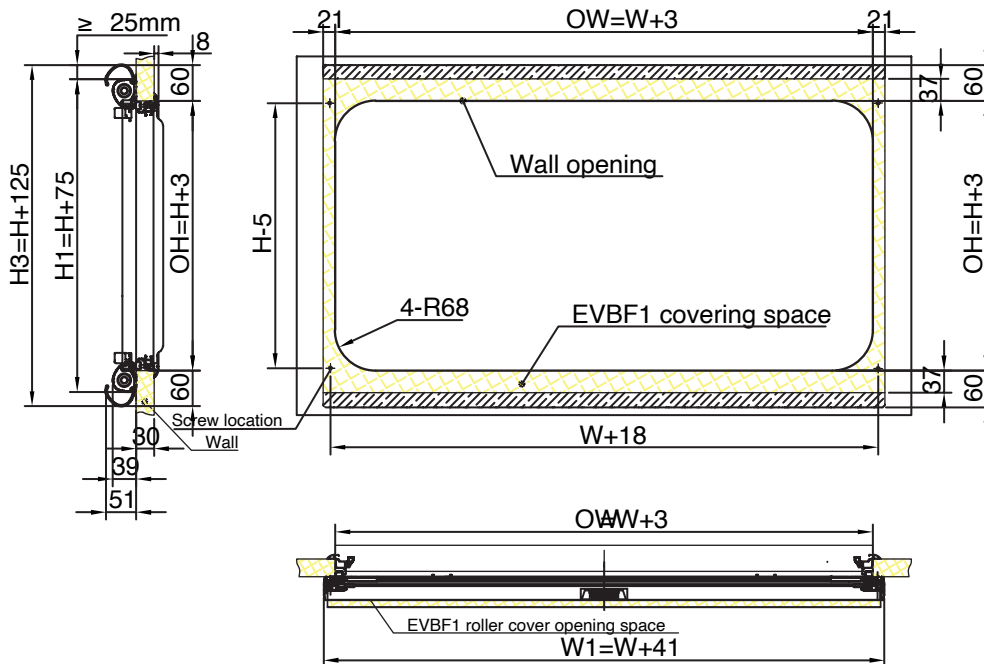
EUROVISION 2 STANDARD



EV Type: EV-H*W:
 Blind panel type: EVBF-H*W:
 OH: Opening Height
 OW: Opening Width
 H1: Blind overall height
 H3: Opening height of cover
 W1: Blind overall width

OH=H+3; OW=W+3
 H1=H+98; H3=H+165;
 W1=W+48

EUROVISION 2 SLIMLINE



EV Type: EV-H*W:
 Blind panel type: EVBF1-H*W:
 OH: Opening Height
 OW: Opening Width
 H1: Blind overall height
 H3: Opening height of cover
 W1: Blind overall width

OH=H+3; OW=W+3
 H1=H+75; H3=H+125;
 W1=W+41

1300 663 868 | enquiries@aussietraveller.com.au | aussietraveller.com.au

BRISBANE SHOWROOM: 11-15 Oasis Court, Clontarf QLD 4019 | MELBOURNE SHOWROOM: 235 Barry Road, Campbellfield VIC 3061

EUROVISION WINDOW & BLIND SIZE GUIDE

ADVERTISED TO SUIT WINDOW SIZE		BLIND OVERALL DIMENSIONS		BLIND INTERNAL OPENING	
HEIGHT	WIDTH	HEIGHT	WIDTH	HEIGHT	WIDTH
300	700	400	735	270	700
300	1100	400	1135	270	1100
450	500	550	535	420	500
450	610	550	645	420	610
450	900	550	935	420	900
450	1100	550	1135	420	1100
500	450	600	485	470	450
500	900	600	935	470	900
500	1200	600	1235	470	1200
550	700	650	735	520	700
550	900	650	935	520	900
550	1100	650	1135	520	1100
550	1450	650	1485	520	1450
600	500	700	535	570	500
600	800	700	835	570	800
800	1000	900	1035	770	1000
800	1200	900	1235	770	1200
900	900	1000	935	870	900
1000	800	1100	835	970	800

**All measurements in mm*



Allow 30mm, top and bottom, on standard horizontal blind rails for hinge to be opened and installed.
Allow 25mm, top and bottom, on slimline horizontal blind rails for hinge to be opened and installed.

For EuroVision 2 with Slimline Blinds - Vertical Height **MINUS** 40mm, Horizontal Width - **MINUS** 8mm.
Tolerance: +0/-2.5

EUROVISION WINDOW STRUT GUIDE

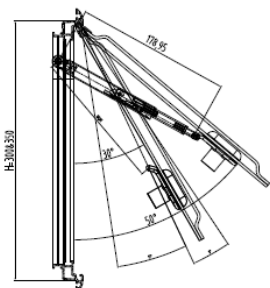
EUROVISION WINDOW HEIGHT	STRUT SIZE
Less than or equal to 350mm	Small
Greater than 350mm and less than or equal to 550mm	Medium
Greater than 600mm	Large

1300 663 868 | enquiries@aussietraveller.com.au | aussietraveller.com.au

BRISBANE SHOWROOM: 11-15 Oasis Court, Clontarf QLD 4019 | MELBOURNE SHOWROOM: 235 Barry Road, Campbellfield VIC 3061

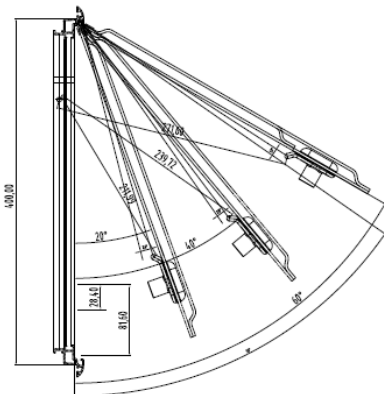
EUROVISION WINDOW OPENING ANGLES

H=300 350
S-Strut



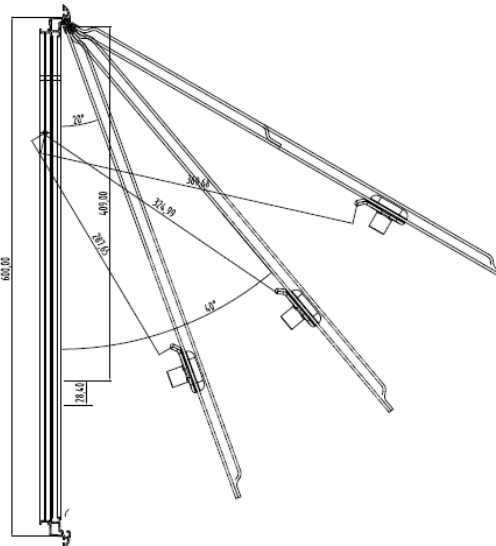
2 positions: 30° 50°

H=400 450 500 550
M-Strut



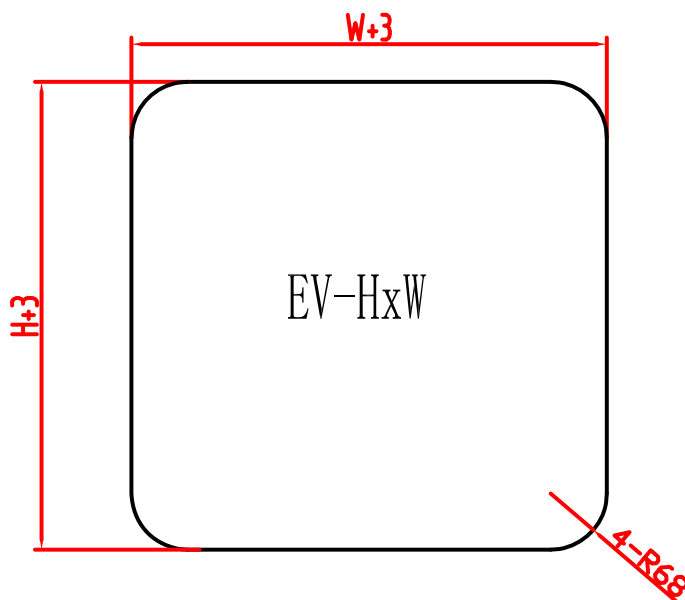
3 positions: 20°, 40°, 60°

H=600 700 800
L-Strut



3 positions: 20°, 40°, 60°

EUROVISION WINDOW WALL CUT-OUTS



1300 663 868 | enquiries@aussietraveller.com.au | aussietraveller.com.au

BRISBANE SHOWROOM: 11-15 Oasis Court, Clontarf QLD 4019 | MELBOURNE SHOWROOM: 235 Barry Road, Campbellfield VIC 3061

WARRANTY STATEMENT

Aussie Traveller Pty Ltd ACN 642 775 460 (**Aussie Traveller**) offers the following warranty in relation to the products it supplies directly or through an authorised manufacturer, dealer or approved service repair agent (**Product**).

Australian Consumer Law

The benefits of this warranty are in addition to any rights and remedies imposed by Australian State and Federal legislation that cannot be excluded. Nothing in this warranty is to be interpreted as excluding, restricting or modifying any State or Federal legislation applicable to the supply of goods and services which cannot be excluded, restricted or modified.

If you are a consumer as defined in the Australian Consumer Law: *Our goods come with guarantees that cannot be excluded under the Australian Consumer Law. You are entitled to a replacement or refund for a major failure and compensation for any other reasonably foreseeable loss or damage. You are also entitled to have the goods repaired or replaced if the goods fail to be of acceptable quality and the failure does not amount to a major failure.*

Warranty

Aussie Traveller warrants that, subject to the exclusions and limitations below, all parts of the manufacture and assembly of the Product will be free from defects in materials and workmanship (**Warranty**) for a period of 12 months from the date of purchase as follows:

1. This Warranty is activated at the time of purchase by the final retail customer (being the owner of the Product).
2. In the event the Product is purchased by a manufacturer, dealer or approved service repair agent, this Warranty will commence at the time the final retail customer makes payment for the Product to the wholesale purchaser.
3. If the Product is purchased directly from Aussie Traveller for use by final retail customer and not to be on sold in any way, the Warranty will commence at the time of the original purchase.

Warranty Period

This Warranty cannot be assigned or transferred to a subsequent owner of the Product.

The purchaser or final retail customer should inspect the Product immediately when received or at vehicle handover, to ensure that it appears free from any damage or defect, and matches the description provided.

If after accepting the Product, a defect appears in the manufacture or assembly of the Product before the end of the Warranty Period and Aussie Traveller finds the Product to be defective in materials or workmanship, Aussie Traveller will, in its sole discretion, either:

- a. replace, repair or refund the Product or the defective part of the Product free of charge; or
- b. cause the Product or the defective part of the Product to be replaced or repaired by a qualified repairer free of charge.

In arranging Warranty inspection, service and repair, Aussie Traveller will seek to provide the details of an approved service agent within your geographic area. Should one not be available, or if the Product is in use in travel, Aussie Traveller reserves the right to seek to arrange a repair or replacement at the next available location on the route of travel.

Aussie Traveller reserves the right to replace defective parts of the Product with parts and components of similar quality, grade and composition where an identical part or component is not available.

Products presented for repair may be replaced by refurbished goods of the same type rather than being repaired. Refurbished parts may be used to repair the Product.

Aussie Traveller Awning Products

This Warranty covers specified defects in materials or workmanship for Awning Products as follows:

1. The vinyl fabric is warranted against:
 - a. holes caused by mildew (mildew will form on dust and dirt and stain fabric if fabric is not kept clean).
 - b. excessive cracking, peeling, hardening or loss of strength while used under normal conditions.
 - c. excessive fading (a slight colour change may occur due to ultraviolet rays).
2. All hardware components including the roller are warranted not to bend or break under normal use (excluding high winds, water pooling and accidents).

Making a Warranty Claim

If a defect covered by this Warranty appears, the Customer must first contact Aussie Traveller within 7 days of first becoming aware of the defect. Aussie Traveller will assist the Customer to rectify and resolve any Product issue that may arise.

When making a claim under this Warranty, Aussie Traveller requires that the following information be provided before any further action will be taken.

1. Original Invoice (Document or Number);
2. Make and model of the Product;
3. Make and model of the vehicle (if Product fitted);
4. Vehicle build date (if Product fitted);
5. Vehicle chassis number;
6. Description of damage and/or repair required;
7. Photos of the damage and/or repair; and
8. Appropriate documentation (such as historical and maintenance records).

Aussie Traveller reserves the right to request more information or images should what is provided not be sufficient to make an assessment for the Warranty claim.

The Product must be made available to Aussie Traveller or its authorised repair agent for inspection and testing. If such inspection and testing find no defect in the Product, the final retail customer must pay Aussie Traveller's usual costs of service work and testing.

The final retail customer must bear the cost of the transport of the Product to and from Aussie Traveller or the authorised repair agent, and all insurance of the Product.

Exclusions

This Warranty will not apply where:

- the Product has been repaired, altered or modified by someone other than Aussie Traveller, or without the written consent of Aussie Traveller or an authorised repair agent;
- the alleged defect in the Product is within acceptable industry tolerances and variances;
- Aussie Traveller cannot establish any fault in the Product after testing and inspection;
- the Product has been used other than for the purpose for which it was designed;
- the alleged defect in the Product has arisen due to the final retail customer's failure to properly use and maintain the Product in accordance with any of Aussie Traveller's instructions, recommendations and specifications (including applicable maintenance schedules);
- the alleged defect in the Product has arisen due to the final retail customer's request to customise the Product;
- the Product has been subject to abnormal conditions, including environment, temperature, high or excessive wind, water, fire, humidity, pressure, stress or similar;
- the alleged defect has arisen due to abuse, misuse, neglect or accident;
- unauthorised parts or accessories have been used on or in relation to the Product;
- the Product has been overloaded or involved in an accident;
- the alleged damage or defect has been caused by normal wear and tear;
- the alleged damage to fabric has been caused by storm, wind or rain, or stretching of fabric caused by water pooling on fabric;
- breakage or bending of hardware components has been caused by storm, wind or rain, or water pooling on fabric.

Replacement Warranty Item

If, under Warranty, a Product is replaced or repaired by Aussie Traveller or an Aussie Traveller agent, unless provided in writing to indicate otherwise, the replacement Product will carry the **remaining** Warranty terms and conditions, including length of time, of the original purchased Product.

Change of Mind

Aussie Traveller understands that at times, final retail customers may change their mind. Choose carefully as return and credit requests for items purchased by mistake or "change of mind" reasons may not be approved. Aussie Traveller will not accept Product returns under these circumstances unless by written approval by an authorized Aussie Traveller representative. If approved, an administration and restocking fee may apply.

Limitations

Aussie Traveller makes no express warranties or representations other than set out in this Warranty.

The repair or replacement of the Product or part of the Product is the absolute limit of Aussie Traveller's liability under this express Warranty.

Contact

Australia Wide: 1300 663 868

Melbourne Office

235 Barry Road
Campbellfield, Melbourne, 3061
Ph: +61 3 9357 6565
enquiries@aussietraveller.com.au

Brisbane Head Office, Factory & Showroom

11-15 Oasis Court
Clontarf, Brisbane, 4019
Ph: +61 7 3284 3284
enquiries@aussietraveller.com.au

To receive a copy of the Aussie Traveller Warranty Terms & Conditions or information regarding specific Aussie Traveller products, please contact Aussie Traveller Head Office on (07) 3284 3284 or email enquiries@aussietraveller.com.au.